

# Spinner Sight Flow Indicator



Manufacturer of Specialist Flow Instruments

The Flow-Mon spinner is a low-cost, robust flow indicator that is simple to install and will outperform other spinner instruments by a considerable margin.

This spinner design can be mounted both horizontally and vertically, offering bi-directional flow indication with low pressure losses. With a tough construction, this product offers excellent structural integrity and compatibility with a wide range of applications.

When calibrated, flow indicators are not needed. This simple indicator will satisfy most requirements within pipe sizes 8mm to 40mm. When operators require a visual confirmation in their pipe work for lubrication and coolant flow, this simple spinner can provide a cost effective solution for plant protection.

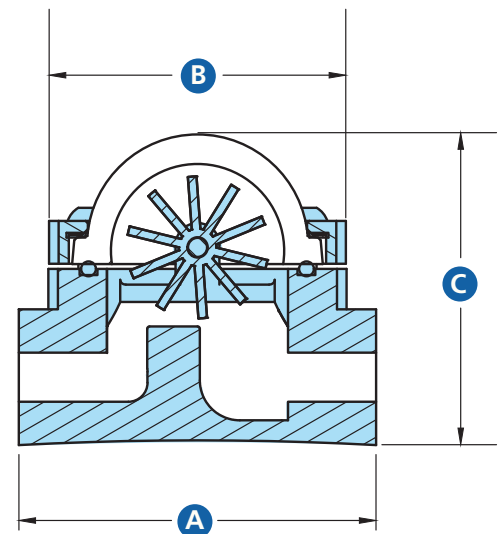


## Product Application

- Plant protection.
- Early warning of overheating, bearing or seal failure.
- Pump and compressor protection.
- Provide assurance that flow of cooling water is maintained to specialised welding equipment.
- Indication of air entertainment.

## Features & Benefits

- 8 - 40mm connection available
- Easy to install in any orientation
- No routine maintenance required
- Unrivalled flow and pressure drop performance
- Bi-directional flow
- Operates over a wide flow range
- Robust with good shock and vibration resistance
- Maximum pressure 16 Bar



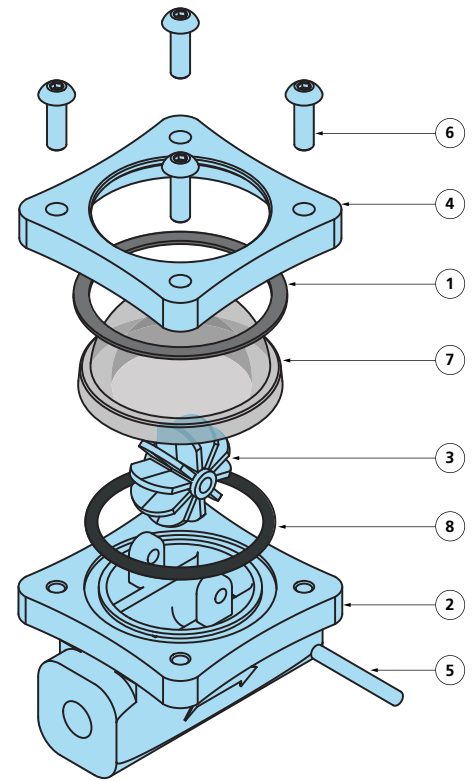
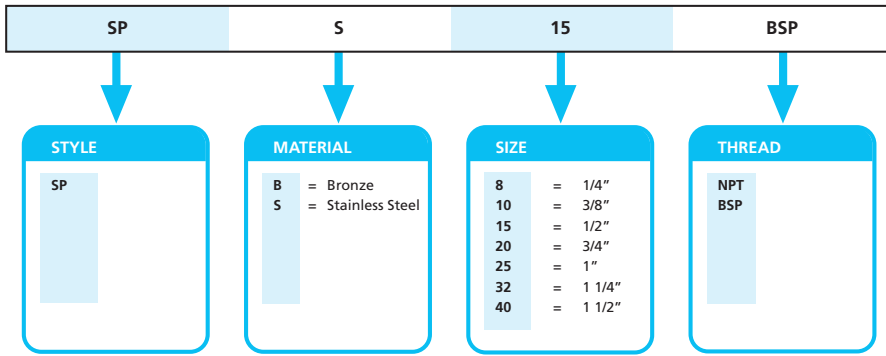
## Dimensions

A	B	C
mm	mm	mm
76	63	65
76	63	65
76	63	65
89	63	83
89	63	83
115	75	100
115	75	100

## Flow Rates & Weight

Size		Weight	Min Flow	Max Flow	Pressure Drop
mm	inch	kg	l/min	l/min	- 2m/sec bar
8	1/4	0.68	0.7	30	0.14
10	3/8	0.65	0.8	40	0.16
15	1/2	0.62	1.0	55	0.22
20	3/4	1.25	1.2	90	0.19
25	1	1.20	1.5	140	0.50
32	1 1/4	2.4	4	1180	0.80
40	1 1/2	2.4	4	200	0.90

## Part Code Builder



## Parts List

Item	Qty	Part No.	Description	Material
1	1	7017	Gasket	Paper
2	4	7003	Sight Indicator Body	Stainless Steel
3	1	7012	Spinner	Plastic
4	1	7005	Lid	Stainless Steel
5	1	7020	4mm Dowel	Stainless Steel
6	4	7019	M5 x 16 button head screw	Stainless Steel
7	1	7009	Glass Dome	Annealed Borosilicate
8	1	7014	O Ring	Viton

## Technical Instructions

The flow indicators are in-line devices. Mounting can be in any position and no straight length of pipe is required before or after the unit. Under the Pressure Equipment Directive (PED), these products are pressure accessories and are not approved for use as safety accessories, as defined by the PED. If used for safety purposes, it is the responsibility of the user/installer to assess the suitability of the product in the pressure equipment or system in which it is used.

It is the responsibility of the user/installer of this equipment to ensure:

1. The product is installed and used by suitably trained personnel in accordance with all relevant local and national regulations and codes.
2. Safe working practices for the media and processes concerned are followed during installation and maintenance.
3. The materials of construction are suitable for the application.
4. The product is protected from fire.

5. The product is protected from impact/vibration.
6. For outdoor use in exposed positions the instrument must be additionally protected/shielded from heavy rainfall.
7. Regular inspection for corrosion/erosion and wear are carried out.
8. End cap torque setting is 7nm. Over tightening the end caps will damage the sealing face of the body causing the unit to leak.

### Essential Safety Requirements

1. The instrument must be installed in accordance with the instructions provided.
2. Prior to installation drain pipelines to ensure they are free from any solid particles or pressure.
3. Care must be taken to avoid introducing torsional stress on the instrument when installing into the pipeline. Tighten sufficiently to avoid leaks and check at regular intervals during maintenance.

4. Ensure pipelines are fully primed before commencing normal use.
5. Valves must be opened or closed gradually to avoid shock/vibration.
6. Do not exceed maximum working pressure as stated.
7. Only use with the fluid/gas stated on the label.
8. Do not exceed minimum/maximum working temperature as stated.

### General Maintenance

1. Remove instrument from pipeline.
2. Check for and remove any swarf/foreign body. Clean if necessary.
3. The instrument is only cleaned by washing with detergent. Do not use abrasive cleaners or solvents.
4. Re-assemble instrument.

