

LMK 306



Stainless Steel Probe

Ceramic Sensor

accuracy according to EN IEC 62828-2:
0.5 % span

Nominal pressure

from 0 ... 6 mH₂O up to 0 ... 200 mH₂O

Output signals

2-wire: 4 ... 20 mA
others on request

Special characteristics

- ▶ diameter 17 mm
- ▶ suitable for hydrostatic level measurement e.g. in 3/4" pipes
- ▶ good linearity
- ▶ good long term stability

Optional versions

- ▶ different cable materials
- ▶ customer specific versions e.g. special pressure ranges

The slimline probe LMK 306 with ceramic sensor has been especially designed for the continuous level measurement at confined space conditions. Permissible media are clean or slightly contaminated water and thin fluids.

Different cable sheath materials are available in order to achieve maximum media compatibility.

Preferred areas of use are

Water

level measurement at confined space conditions



ground water monitoring

depth or level measurement in wells

drinking water abstraction

level measurement in open and closed tanks



Input pressure range										
Nominal pressure gauge	[bar]	0.6	1	1.6	2.5	4	6	10	16	20
Level	[mH ₂ O]	6	10	16	25	40	60	100	160	200
Overpressure	[bar]	2	2	4	4	10	10	20	40	40
Burst pressure ≥	[bar]	4	4	5	5	12	12	25	50	50
Max ambient pressure (housing)		40 bar								

Output signal / Supply	
2-wire	4 ... 20 mA / V _S = 12 ... 36 V _{DC}

Performance	
Accuracy	≤ ± 0.5 % span
Permissible load	$R_{max} = [(V_S - V_{Smin}) / 0.02 A] \Omega$
Influence effects	supply: 0.05 % span / 10 V load: 0.05 % span / kΩ
Response time	≤ 10 msec

¹ accuracy according to EN IEC 62828-2– limit point adjustment (non-linearity, hysteresis, repeatability)

Thermal effects (Offset and Span) / Permissible temperatures	
Thermal error	≤ ± 0.2 % span / 10 K in compensated range -25 ... 70 °C
Permissible temperatures	Medium/ electronics/ environment/ storage: -20 ... 80 °C *

*if the cable is intended for use in a smaller temperature range, the use of the probe is limited by this range.

Electrical protection ²	
Short-circuit protection	permanent
Reverse polarity protection	no damage, but also no function
Electromagnetic protection	emission and immunity according to EN 61326

² additional external overvoltage protection unit in terminal box KL 1 or KL 2 with atmospheric pressure reference available on request

Electrical connection	
Cable with sheath material ³	PVC (-5 ... 70 °C) grey (-25 ... 70 °C in fixed condition) Ø 7,4 mm PUR (-25 ... 80 °C) black (with drinking water certificate) Ø 7,4 mm FEP ⁴ (-25 ... 75 °C) black Ø 7,4 mm others on request
Cable capacitance	signal line/shield also signal line/signal line: 160 pF/m
Cable inductance	signal line/shield also signal line/signal line: 1 µH/m
Bending radius	static installation: 10-fold cable diameter dynamic application: 20-fold cable diameter

³ shielded cable with integrated ventilation tube for atmospheric pressure reference

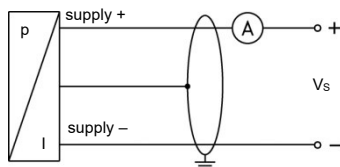
⁴ do not use freely suspended probes with an FEP cable if effects due to highly charging processes are expected

Materials (media wetted)	
Housing	stainless steel 1.4404 (316L)
Seals	FKM
Diaphragm	ceramics Al ₂ O ₃ 96 %
Protection cap	POM-C
Cable sheath	PVC, PUR, FEP

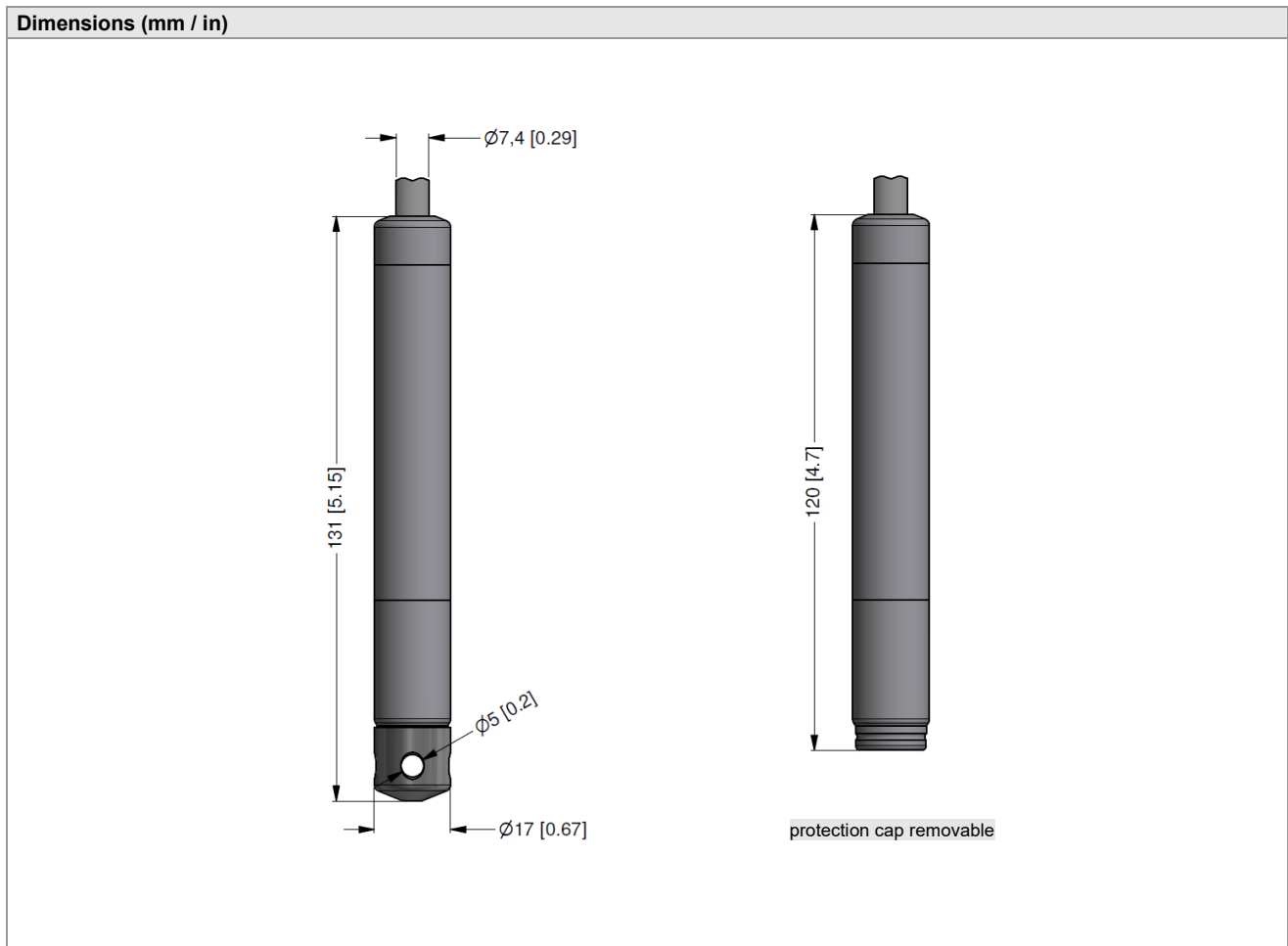
Miscellaneous	
Current consumption	max. 25 mA
Weight	approx. 100 g (without cable)
Ingress protection	IP 68
CE-conformity	EMC Directive: 2014/30/EU

Wiring diagram

2-wire-system (current)



Pin configuration	
Electrical connection	cable colours (IEC 60757)
Supply +	WH (white)
Supply -	BN (brown)
Shield	GNYE (green-yellow)



Accessories

Terminal clamp		
Technical data		
Suitable for	all probes with cable \varnothing 5.5 ... 10.5 mm	
Material of housing	standard: steel, zinc plated optionally: stainless steel 1.4301 (304)	
Material of clamping jaws and positioning clips	PA (fibre-glass reinforced)	
Dimensions (mm)	174 x 45 x 32	
Hook diameter	20 mm	
Ordering type	Ordering code	Weight
Terminal clamp, steel, zinc plated	1003440	approx. 160 g
Terminal clamp, stainless steel 1.4301 (304)	1000278	

© 2019 BD SENSORS s.r.o. – The specifications given in this document represent the state of engineering at the time of publishing. We reserve the right to make modifications to the specifications and materials.

Ordering code LMK 306

23.08.2024

LMK 306

□	□	□	-	□	□	□	-	□	-	□	-	□	-	□	-	□	-	□	□	□	-	□	□	□
---	---	---	---	---	---	---	---	---	---	---	---	---	---	---	---	---	---	---	---	---	---	---	---	---

Pressure																										
in bar		3	7	0																						
in H ₂ O		3	7	1																						
Input		[mH₂O]	[bar]																							
		0 ... 6	0 ... 0,6			6	0	0	0																	
		0 ... 10	0 ... 1			1	0	0	1																	
		0 ... 16	0 ... 1,6			1	6	0	1																	
		0 ... 25	0 ... 2,5			2	5	0	1																	
		0 ... 40	0 ... 4			4	0	0	1																	
		0 ... 60	0 ... 6			6	0	0	1																	
		0 ... 100	0 ... 10			1	0	0	2																	
		0 ... 160	0 ... 16			1	6	0	2																	
		0 ... 200	0 ... 20			2	0	0	2																	
Customer						9	9	9	9																	
Housing material																										
Stainless steel 1.4404 (316 L)																								1		
Customer																								9		
Diaphragm material																										
Ceramic Al ₂ O ₃ 96 %																								2		
Customer																								9		
Output signal																										
4 ... 20 mA / 2-wire																								1		
Customer																								9		
Seals																										
Viton (FKM)																								1		
Customer																								9		
Accuracy																										
0,5 %																								5		
Customer																								9		
Electrical connection																										
PVC - cable (grey, Ø 7,4 mm, price for 1 m) ¹																								1		
PUR - cable (black, Ø 7,4 mm, price for 1 m) ¹																								2		
FEP - cable with PTFE sheath (black, Ø 7,4 mm, price for 1 m) ¹																								3		
Customer																								9		
Cable length																										
in m																								9	9	9
Special version																										
Standard																								0	0	0
Customer																								9	9	9
Accessories for submersible transmitter																										
Terminal clamp - zinc plated																									1003440	
Terminal clamp - Stainless Steel 1.4301																									1000278	
Mounting screw PG16 - plastic																									5002200	

0,...without additional charge

On request...in accordance with the producer

Surcharges for calibration are not subject to any discounts. Subject to change.

This document contains the specification for ordering the product; detailed technical parameters of the product and its possible variants are given in BD SENSORS reserves the right to change sensor specifications without further notice.

1 shielded cable with integrated ventilation tube for atmospheric pressure reference

