

# HU 300

## Hammer Union Pressure Transmitter

special application  
petrochemical industry / offshore

accuracy according to EN IEC 62828-2:  
0.5 % span



### Nominal pressure

from 0 ... 5 000 psi up to 0 ... 15 000 psi

### Output signals

2-wire: 4 ... 20 mA  
3-wire: 0 ... 5 V  
4-wire: 3 mV/V  
others on request

### Product characteristics

- ▶ extreme robust and stable
- ▶ vibration / shock

### Optional versions

- ▶ IS-version zone 0 / 1  
(only for 4 ... 20 mA / 2-wire)
- ▶ different output signals

### Versions on request

- ▶ pressure port in Inconel<sup>®</sup>
- ▶ electrical connection Glenair (4-pin)
- ▶ mechanical connection  
WECO<sup>®</sup>2" (1502, 2002/2202)

The pressure transmitter HU 300 has been especially developed for extreme operating conditions in the petrochemical industry (on- and offshore sites). A high degree of reliability and accuracy is the precondition for a perfect function during cementing and tightening processes (annulus) on wellbores.

A one-piece pressure port, a high quality pressure sensor and precise machining and assembly techniques ensure a small drifting and a high long-term stability. A very high resistance against vibration, shock and pressure peaks without any influence on the measurement characteristics is guaranteed.

Due to the extreme environmental conditions on-site, it is important to offer solutions to different requirements, as an intrinsic-safe version (zone 0/1), an electrical connection with IP 68 or special steel materials.

### Preferred areas of use are



Cementing wellbores  
Hydraulic fracturing  
Intensifying wellbores



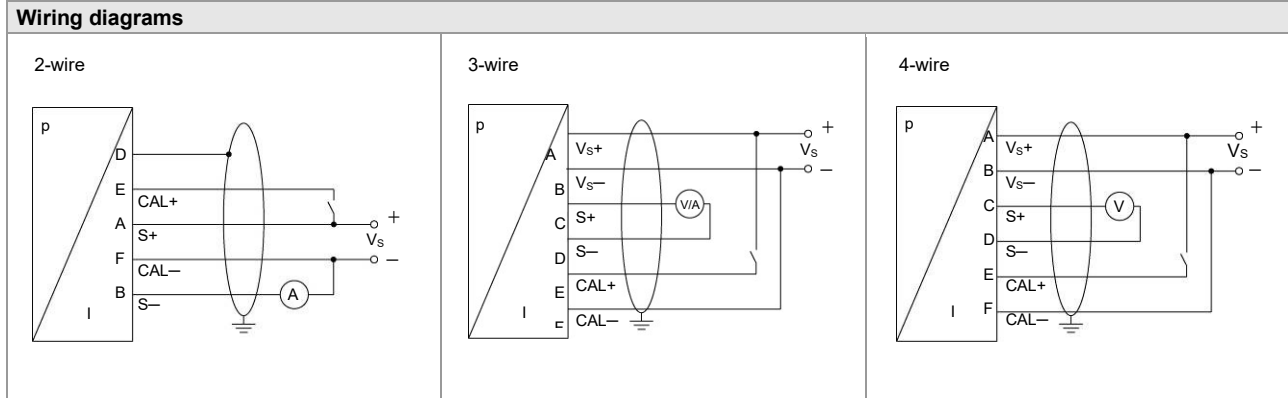
Pressure ranges			
Nominal pressure	[psi]	5 000	6 000
Permissible overpressure	[psi]	7 500	9 000
Burst pressure $\geq$	[psi]	10 000	12 000
			20 000
			30 000
Supply			
Standard		2-wire: 4 ... 20 mA / $V_S = 10 \dots 30 V_{DC}^1$	
Ex-protection		2-wire: 4 ... 20 mA / $V_S = 14 \dots 28 V_{DC}$	
In preparation (only possible with MIL- / Bendix-connector)		3-wire: 0 ... 5 V / $V_S = 14 \dots 30 V_{DC}$ 4-wire: 3 mV/V / $V_S = 6 \dots 10 V_{DC}$	
<sup>1</sup> valid for temperature from -40 ... 85 °C; for higher temperatures the supply has to be limited			
Performance			
Accuracy		EN IEC 62828-2: $\leq \pm 0.5$ % span	
Permissible load		current 2-wire: $R_{max} = [(V_S - V_{S min}) / 0.02 A] \Omega$ voltage 3-wire: $R_{min} \geq 10 k\Omega$ voltage 4-wire: $R_{min} \geq 100 k\Omega$	
Influence effects		supply: 0.05 % span / 10 V load: 0.05 % span / $k\Omega$	
Long term stability		$\leq \pm 0.5$ % span per 6 months	
Response time		$\leq \pm 1.5$ msec	
Thermal effects (Offset and Span)			
Thermal errors		$\leq \pm 2$ % span / 100 K	in compensated range -5 ... 60 °C
Permissible temperatures			
Permissible temperatures		medium / environment:	-40 ... 125 °C
		storage:	-55 ... 125 °C
Calibration			
Calibration signal accuracy		$\leq \pm 0.2$ % span	
Calibration signal		80 % span (16.8 mA)	
Electrical protection			
Short-circuit protection		permanent	
Reverse polarity protection		no damage, but also no function	
Electromagnetic compatibility		emission and immunity according to EN 61326	
Mechanical stability			
Vibration		20 g, 25 Hz ... 2 kHz 7.5 $g_{RMS}$ , 5 Hz – 1 kHz	according to DIN EN 60068-2-6 according to DIN EN 60068-2-64
Shock		500 g / 1 msec	according to DIN EN 60068-2-27
Free Fall		1 m (free fall base: steel)	according to DIN EN 60068-2-32
Materials			
Pressure port / diaphragm		standard: stainless steel 1.4548 (316L) on request: Inconel X750® Inconel X718®	
Housing		stainless steel 1.4404 (316L)	
Media wetted parts		pressure port	
Explosion protection (only for 4 ... 20 mA / 2-wire)			
Approval DX8 HU300		IBExU08ATEX1127 X zone 0/1: II 1/2 G Ex ia IIC T4 Ga/Gb	
Safety technical maximum values		$U_i = 28 V$ , $I_i = 100 mA$ , $P_i = 700 mW$ , $C_i = 1 nF$ , $L_i = 5 \mu H$ , The supply connections have an inner capacity of max. 27 nF opposite the housing.	
Permissible temperatures for medium		-40 ... 70 °C	
Permissible temperatures for environment		in zone 0: -20 ... 60 °C with $p_{atm}$ 0.8 bar up to 1.1 bar in zone 1: -25 ... 70 °C	
Connecting cables (by factory)		cable capacitance: signal line/shield also signal line/signal line: 150 pF/m cable inductance: signal line/shield also signal line/signal line: 1 $\mu H/m$	

The manufacturer provides the EU declaration of conformity.

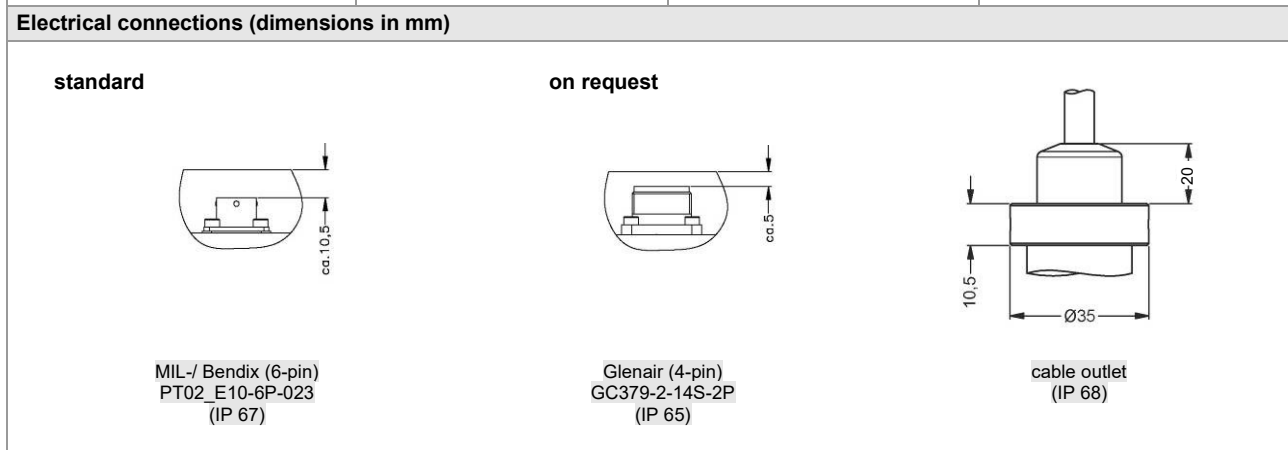
Calibration - All production undergoes output control, which is performed by comparison with standards. The traceability of standards and working gauges is ensured in accordance with Act No. 505/1990, as amended, on metrology.

The manufacturer offers the possibility to supply sensors calibrated in the calibration laboratory of BD SENSORS, accredited according to ČSN EN ISO / IEC 17025: 2018.

Miscellaneous		
Current consumption	2-wire signal output current: 3-wire signal output voltage: 4-wire signal output voltage:	max. 50 mA approx. 15 mA 29 mA @ 10 V
Installation position	any	
Weight	2.1 kg	
CE-conformity	EMC Directive: 2014/30/EU	Pressure Equipment Directive: 2014/68/EU (module A)
ATEX Directive	2014/34/EU	

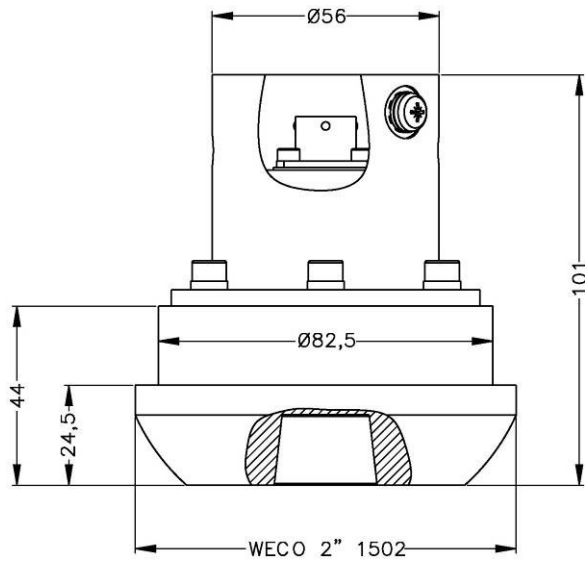


Pin configuration			
Electrical connection	MIL-/ Bendix (6-pin)	Glenair (4-pin)	cable colours (IEC 60757)
Supply + Supply - Calibration + Calibration -	pin A pin B pin E pin F	pin C pin B pin D pin A	WH (white) BN (brown) PK (pink) GY (grey)
for 3-wire / 4-wire: Signal + Signal -	pin C pin D	- -	- -
Shield	cable shield / for 2-wire: pin D	plug housing	GNYE (green-yellow)

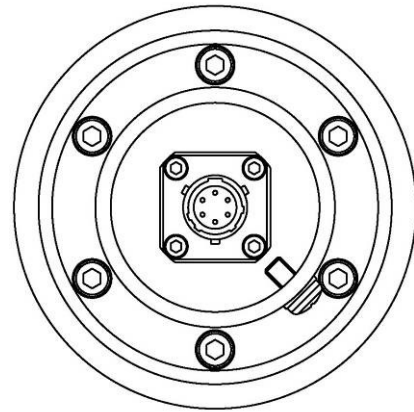


**Mechanical connection (dimensions in mm)**

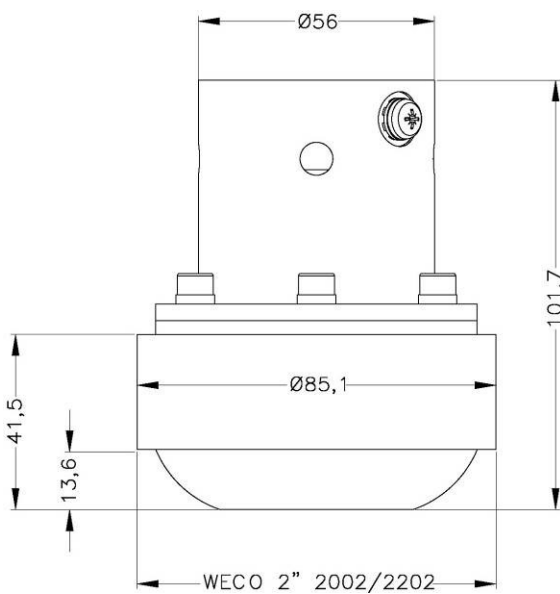
**standard**



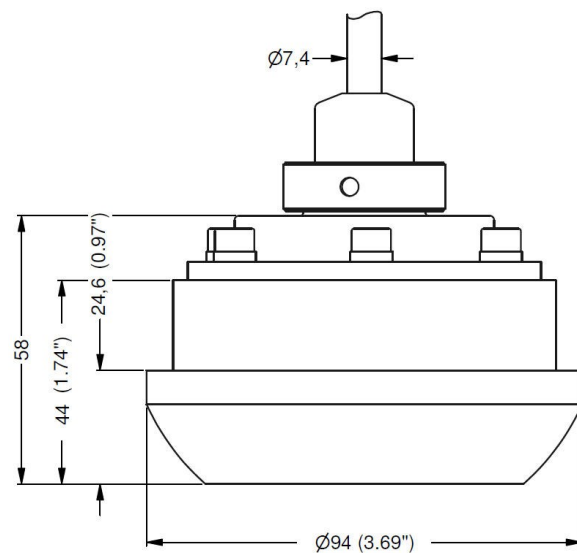
WECO® 2" (1502)



**on request**



WECO® 2" (2002/2202)



cable outlet

Inconel® is a registered trade mark of Special Metals Corporation.  
WECO® is a registered trade mark of FMC Technologies.

© 2019 BD SENSORS s.r.o. – The specifications given in this document represent the state of engineering at the time of publishing. We reserve the right to make modifications to the specifications and materials.

Ordering code HU 300

23.08.2024

HU 300

--	--	--	--	--	--	--	--	--	--	--	--	--	--	--	--	--	--	--	--

H U 0

**Input [psi]**

0 ... 5000	P	5	K	0															
0 ... 6000	P	6	K	0															
0 ... 10000	P	1	0	K															
0 ... 15000	P	1	5	K															
Customer	9	9	9	9															

**Output**

4 ... 20 mA / 2-wire																			1
Intrinsic safety Ex ia 4 ... 20 mA / 2-wire																			E
Customer																			9

**Accuracy**

0,5 %																			5
Customer																			9

**Electrical connection<sup>1</sup>**

MIL-/ Bendix (6-pin) Type PT02_E10-6P-023																			B 2 0
Glenair (4-pin) GC379-2-14S-2P																			B Z 0
Jupiter 10TP ( 4-pin)																			B J 0
Customer																			9 9 9

**Mechanical connection**

WECO 2" 1502																			H U 0
Customer																			9 9 9

**Pressure port**

Stainless steel 1.4548 (17-4PH)																			7 8
Customer																			9 9

**Diaphragm**

Stainless steel 1.4548 (17-4PH)																			Z 8
Customer																			9 9

**Special version**

Standard																			0 0 0
Customer																			9 9 9

0,-...without additional charge

On request...in accordance with the producer

Surcharges for calibration are not subject to any discounts. Subject to change.

This document contains the specification for ordering the product;  
detailed technical parameters of the product and its possible variants are given in the data sheet.  
BD SENSORS reserves the right to change sensor specifications without further notice.

1 only male plugs



BD SENSORS s.r.o.  
Hradišťská 817  
CZ – 687 08 Buchlovice

Tel.: +420 572 411 011

www.bdsensors.cz  
info@bdsensors.cz



The company BD SENSORS s.r.o. is certified by Bureau Veritas Czech according to the standard ISO 9001.