



Thermal Gas Mass Flow meter

HBVYBHGF-3000 SERIES

Introduction

Thermal gas mass flow meter is designed on the basis of thermal dispersion, and adopts method of constant differential temperature to measuring gas flow. It has advantages of small size, easy installation, high reliability and high accuracy, etc.

The meter contains two platinum resistance temperature sensors. The thermal principle operates by monitoring the cooling effect of a gas stream as it passes over a heated sensor. Gas flowing through the sensing section passes over two sensors one of which is used conventionally as a temperature sensor, whilst the other is used as a heater. The temperature sensor monitors the actual process values whilst the heater is maintained at a constant differential temperature above this by varying the power consumed by the sensor. The greater the gas velocity, the greater the cooling effect and power required to maintain the differential temperature. The measured heater power is therefore a measure of the gas mass flow rate.



Features

- Measuring the mass flow or volume flow of gas
- Do not need to do temperature and pressure compensation in principle with accurate measurement and easy operation.
- Wide range: 0.5Nm/s ~ 100Nm/s for gas. The meter also can be used for gas leak detection
- Good vibration resistance and long service life. No moving parts and pressure sensor in transducer, no vibration influence on the measurement accuracy.
- Easy installation and maintenance. If the conditions on site are permissible, the meter can achieve a hot-tapped installation and maintenance. (Special order of custom-made)
- Digital design, high accuracy and stability
- Configuring with RS485 or HART interface to realize factory automation and integration



Technical Parameters

Description	Specifications
Measuring Medium	Various gases (Except the acetylene)
Pipe Size	DN10 ~ DN4000mm
Velocity	0.1 ~ 100 Nm/s
Accuracy	±1 ~ 2.5%
Working Temperature	Sensor: -40°C ~ +220°C Transmitter: -20°C ~ +45°C
	Insertion Sensor: medium pressure ≤ 1.6MPa Flanged Sensor: medium pressure ≤ 1.6MPa Special pressure please contact us
Power Supply	Compact type: 24VDC or 220VAC, Power consumption ≤18W Remote type: 220VAC, Power consumption ≤19W
Response Time	1s
Output	4-20mA (maximum load 500Ω), Pulse, RS485 () and HART
Alarm Output	1-2 line Relay, Normally Open state, 10A/220V/AC or 5A/30V/DC
Sensor Type	Standard Insertion, Hot-tapped Insertion and Flanged
Construction	Compact and Remote
Pipe Material	Carbon steel, stainless steel, plastic, etc
Display	4 lines LCD Mass flow, Volume flow in standard condition, Flow totalizer, Date and Time, Working time, and Velocity, etc.
Protection Class	IP65
Sensor Housing Material	Stainless steel (316L)



Flow range

(Unit: Nm³/h. The follow table can be extended)

(mm)	Air	Nitrogen (N ₂)	Oxygen (O ₂)	Hydrogen(H ₂)
15	65	65	32	10
25	175	175	89	28
32	290	290	144	45
40	450	450	226	70
50	700	700	352	110
65	1200	1200	600	185
80	1800	1800	900	280
100	2800	2800	1420	470
125	4400	4400	2210	700
150	6300	6300	3200	940
200	10000	10000	5650	1880
250	17000	17000	8830	2820
300	25000	25000	12720	4060
400	45000	45000	22608	7200
500	70000	70000	35325	11280
600	100000	100000	50638	16300
700	135000	135000	69240	22100
800	180000	180000	90432	29000
900	220000	220000	114500	37807
1000	280000	280000	141300	48120
1200	400000	400000	203480	69172
1500	600000	600000	318000	101520
2000	700000	700000	565200	180480

The flow rate in standard condition: The flow rate is in the condition of 20°C temperature and 101.325kPa pressure.

The unit of flow rate is optional: Nm³/h, Nm³/min, L/h, L/min, t/h, t/min, kg/h or kg/min.

The reduction formula of flow rate in working condition and flow rate in standard condition:

$$Q_s = \frac{0.101325+p}{0.10325} * \frac{273.15+20}{273.15+t} * Q_n$$

Q_s: The flow rate in standard condition (Nm³/h).

Q_n: The flow rate in working condition (m³/h).

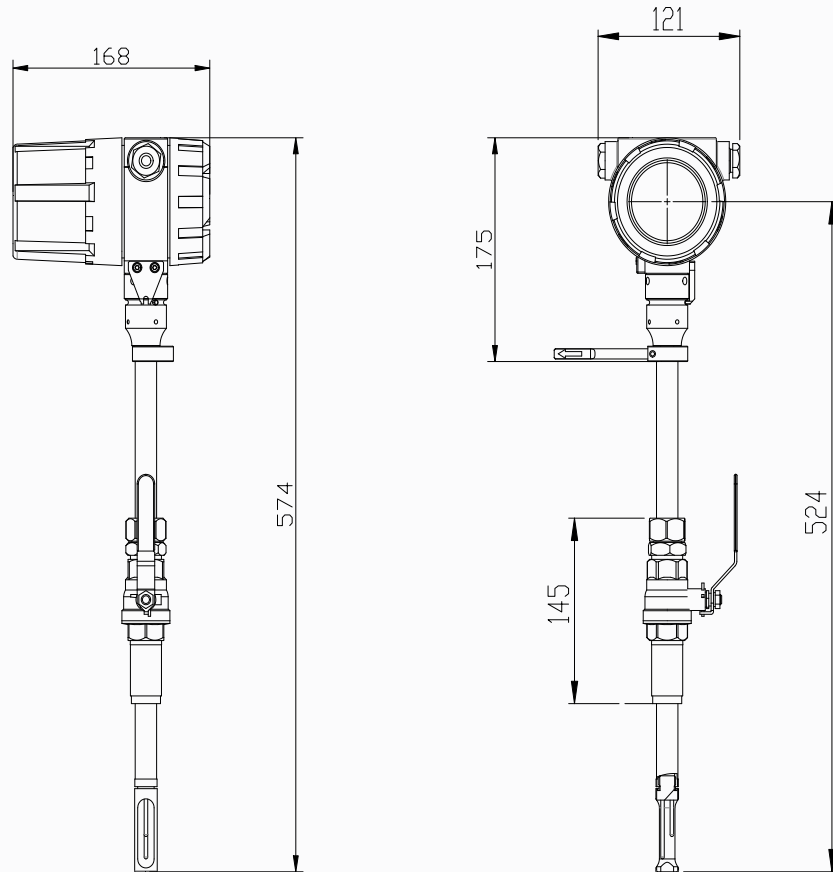
t: The medium temperature in working condition (°C).

p: The medium pressure in working condition (Gauge pressure, MPa).

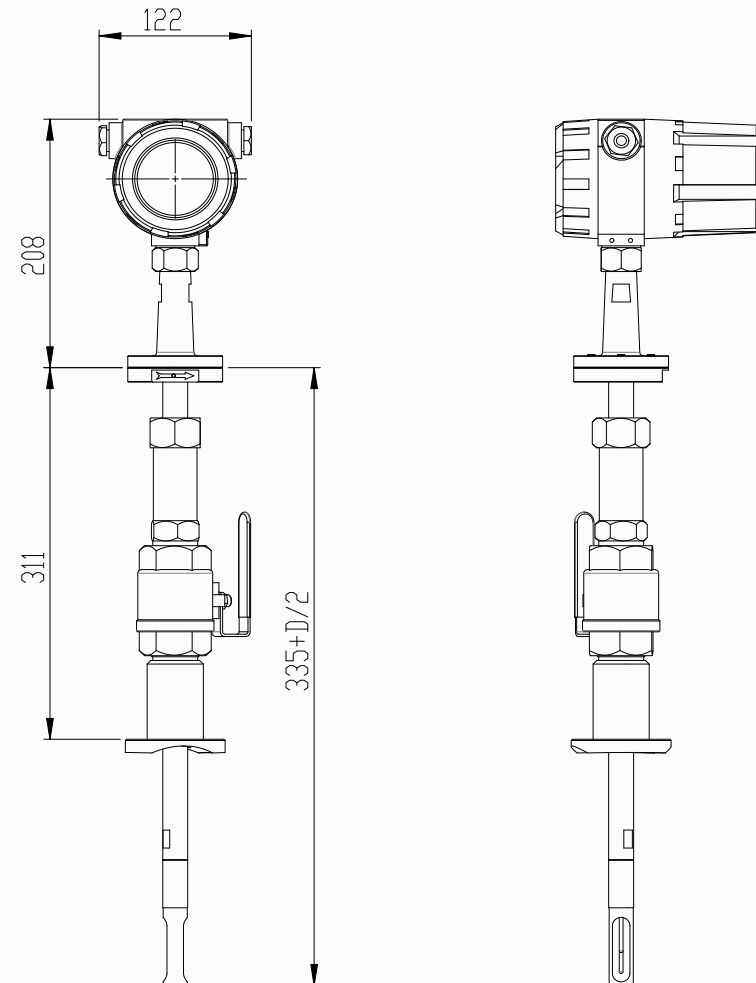


Installation size

Dimensions of standard insertion sensor

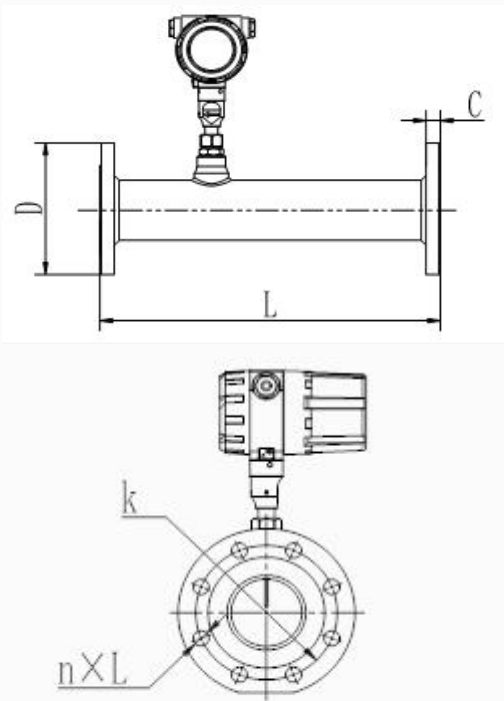


Dimensions of hot-tapped insertion sensor



Installation size

PN1.6Mpa Plane and surface plate flat welding steel pipe flanges (Unit: mm)



Nominal Diameter	Flange Outer diameter	Center Hole	Screw Hole	Screw Thread	Sealing Face		Flange Thickness	Pipeline Length
					d	f		
DN	D	k	n*L				C	L
15	95	65	4*14	M12	46	2	14	180
20	105	75	4*14	M12	56	2	16	180
25	115	85	4*14	M12	65	2	16	180
32	140	100	4*18	M16	76	2	18	180
40	150	110	4*18	M16	84	2	18	180
50	165	125	4*18	M16	99	2	20	200
65	185	145	4*18	M16	118	2	20	200
80	200	160	8*18	M16	132	2	20	250
100	220	180	8*18	M16	156	2	22	250
125	250	210	8*18	M16				250
150	285	240	22*8	M20				250
200	340	295	22*12	M20				300
250	405	355	26*12	M24				300
300	460	410	26*12	M24				300

For DN15-DN80, the meter can be made with thread type to connect.

The above table is used for rated pressure of 1.6MPa. If the rated pressure is more than 1.6MPa, please contact us for special order.



Selection code

Model prefix: HBYBHGF-3000

A Sensor Type

Sensor Type	F	Flange Type
	C	Insert Type
	G	Thread Type

B Nominal diameter

Nominal diameter	DN10-DN2000
------------------	-------------

C Material

Material	A	304SS
	B	316L

D Pressure Level

Pressure Level	S	1.6
	M	2.5
	T	4.0

E Accuracy Class

Accuracy Class	1	1.0%
	2	1.5%
	3	2.5%

F Temperature

Temperature	I	-40~200°C
	II	-40~450°C

G Power Supply

Power Supply	1	24V DC, 220V AC
	2	24V DC

H Output Method

Output Method	1	RS485, 4-20MA, Pulse
	2	Hart, RS485, 4-20MA, Pulse
	3	Relay outputs, RS485, 4-20MA, Pulse

I Explosion-Proof Grade

Explosion-Proof Grade	1	Exd IICT6 Gb
	2	Without

E Structure Type

Structure Type	J	Integrated Type
	S	Separate Type





Kaifeng Huabang Instrument Co., Ltd.

Add: North Shanghe Road, Kaifeng City,
Henan Province, China
Phone: 0086-371-26680208
Mobile: 0086-13353783678
Email: info@hbmeter.cc