



# Coriolis Mass Flowmeter

KAIFENG HUABANG INSTRUMENT CO.,LTD.

# CONTENTS

1. Description

2. Feature

3. Application

4. Liquid flow rates

5. Sensor specifications

6. Transmitter specifications

7. Dimension

# Product Type

Coriolis Mass Flowmeter



01

## U-shaped Coriolis Mass Flowmeter

Measuring pipe diameter range is  
DN15-DN200

## Triangular Coriolis Mass Flowmeter

Triangular Coriolis flow meters are divided into  
integral type and split type, Measuring pipe  
diameter range is DN3-DN10

02



# Product Description

## Coriolis Mass Flowmeter



U-shaped Coriolis Mass Flowmeter



Triangular Coriolis Mass Flowmeter

(Separate Type)



Triangular Coriolis Mass Flowmeter

(Integrated Type)

### ☆ GENERAL:

HBYP Coriolis mass flowmeters are the leading precision flow and density measurement solution offering the most accurate and repeatable mass measurement for liquids, or slurries. HBYP meters offer the most accurate measurement available for virtually any process fluid, while exhibiting exceptionally low pressure drop.

# Product Features

## Coriolis Mass Flowmeter



Unchallengeable HBYB performance on liquid mass flow, volume flow, and density measurement.



Unique design delivers unparalleled measurement sensitivity and stability.



Guarantees consistent, reliable performance over the widest flow range.



Designed to minimize process, mounting, and environmental effect.

# Product Applications

Coriolis Mass Flowmeter

Low Flow Precision Measurement	Precision Measurement & Process Control	High Capacity Precision Measurement
<ul style="list-style-type: none"><li>· Starting at 2kg/hr to 330kg/hr</li><li>· Flavoring</li><li>· Vials</li><li>· Chemical injection</li></ul>	<ul style="list-style-type: none"><li>· Kg/min – tons/hr</li><li>· Truck loading</li><li>· Internal allocation</li><li>· Leak detection</li><li>· Produced fluids with chlorides</li></ul>	<ul style="list-style-type: none"><li>· Up to 1,200 tons/hr</li><li>· Custody transfer Ship loading</li><li>· Railcar loading</li><li>· Pipeline measurement</li><li>· Marine bunkering Feedstock and fuel blending</li></ul>

# Liquid Flow Rates

Coriolis Mass Flowmeter

Model	Nominal Size (mm)	Flow rate (t/hr)
HBYP-006	6	0~0.56~0.7
HBYP-008	8	0~0.96~1.2
HBYP-010	10	0~1.8~2.1
HBYP-015	15	0~3.6~4.5
HBYP-020	20	0~6~7.2
HBYP-025	25	0~9.6~12
HBYP-032	32	0~18~21
HBYP-040	40	0~30~36
HBYP-050	50	0~48~60
HBYP-080	80	0~150~180
HBYP-100	100	0~240~280
HBYP-150	150	0~480~600

# Sensor Specifications




Coriolis Mass Flowmeter

SENSOR SPECIFICATIONS	
Accuracy:	±0.1~0.5%
Repeatability:	±0.1~0.25%
Density measurement range:	0.5~2g/cm <sup>3</sup> , Accuracy: ±0.002 g/cm <sup>3</sup>
Operating temperature:	-50~+200°C
Ambient temperature:	-40~+60°C or -20~+55°C
The measuring tube material:	SS316L; The housing material: SS304
Nominal pressure:	4.0MPa
Ex-proof:	Exd (ia) II C T6Gb



# Transmitter Specifications

## Coriolis Mass Flowmeter

Item	FT-521 LED	FT-522 LCD	FT-523 digital LCD Pict
<b>Picture</b>			
<b>Principle</b>	Analog signal processing	Analog signal processing	Digital signal processing 1.MVD technology 2.Higher sampling 3.Digital filtering
<b>Ambient temperature</b>	-40~60°C	20~60°C	-20~60°C
<b>Display info</b>	Mass flow; Volume flow, Density	Mass flow; Volume flow, Density, Temperature	Mass flow; Volume flow, Density, Temperature
<b>Display mode</b>	LED	LCD	LCD
<b>Power supply</b>	24VDC/220VAC	24VDC/220VAC	24VDC
<b>Output signal</b>	Pulse/4-20mA	Pulse/4-20mA	Pulse/4-20mA
<b>Communication</b>	Modbus	Modbus / Hart	Modbus
<b>Ex-proof</b>	Exd (ia) II C T6Gb	Exd (ia) II C T6Gb	Ex d ib IIC T6 Gb

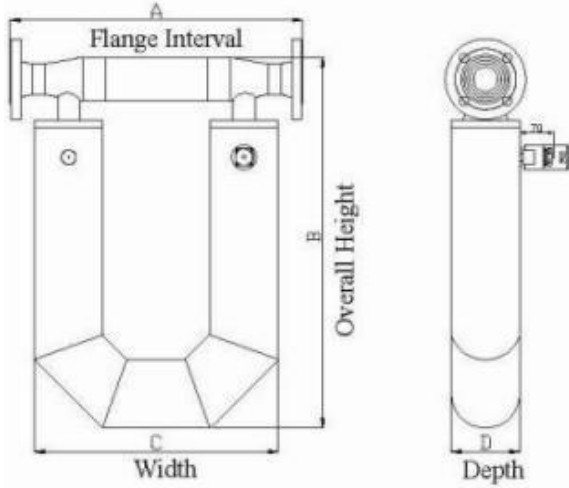
# Product Dimension

Coriolis Mass Flowmeter



Split-type

Unit:mm



Model	A	B	C	D
HBYP015	455	500	500	89
HBYP020	540	540	445	108
HBYP025	540	560	445	108
HBYP032	550	570	445	108
HBYP040	600	840	500	140
HBYP050	600	840	500	140
HBYP080	870	1150	780	220
HBYP100	950	1200	840	295
HBYP150	1300	1350	950	320

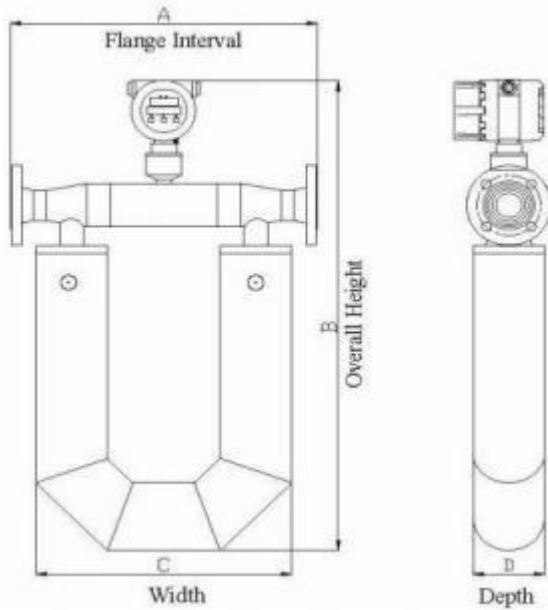
# Product Dimension

Coriolis Mass Flowmeter



Integral type

Unit:mm



Model	A	B	C	D
HBYP015	455	540	500	89
HBYP020	540	740	470	108
HBYP025	540	740	445	108
HBYP032	550	740	445	108
HBYP040	600	1010	500	140
HBYP050	600	1010	500	140
HBYP080	870	1360	780	220
HBYP100	950	1440	840	295
HBYP150	1300	1540	950	320

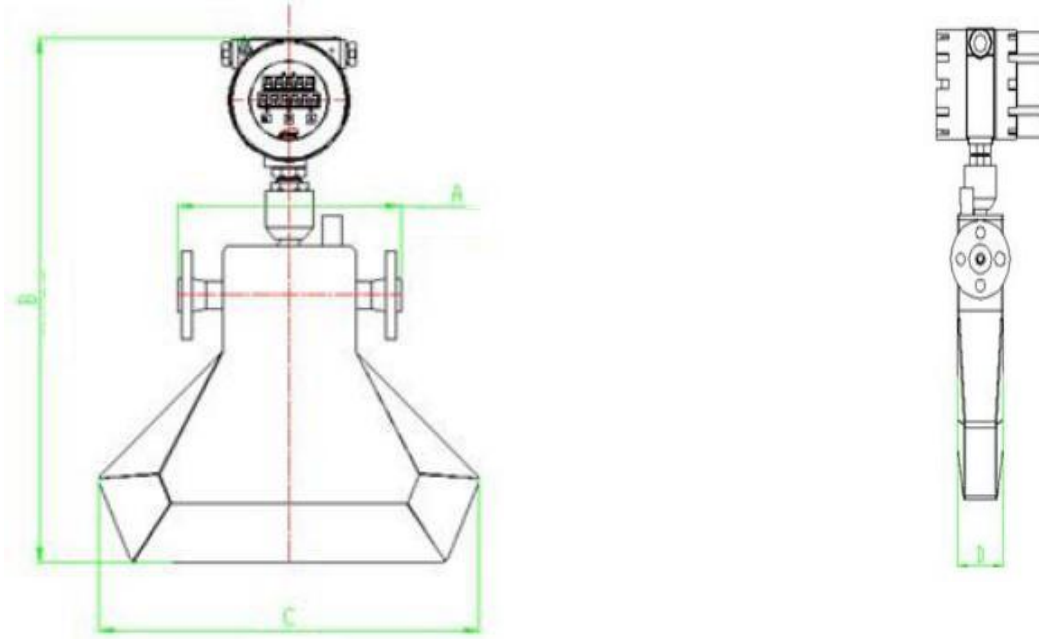
# Product Dimension

Coriolis Mass Flowmeter



Small size (HBYB-008/HBYB-006)

Unit:mm



Model	A	B	C	D
HBYB-008	232	521	360	70.5
HBYB-006	232	535	395	70.5

# Selection Code

Coriolis Mass Flowmeter

Model	1	2	3	4	5	6	7	8	9	10	11	Description
HBCMF-												
Diameter	003											DN3
	006											DN6
	008											DN8
	010											DN10
	015											DN15
	020											DN20
	025											DN25
	032											DN32
	040											DN40
	050											DN50
	080											DN80
	100											DN100
	150											DN150
Structure		C										Compact type
		R										Remote type
Medium temperature			N									-50...+200°C
			H									-50...+300°C
			L									-200...+200°C

# Selection Code

Coriolis Mass Flowmeter

Rated pressure	1								1.6MPa	
	2								2.0MPa	
	4								4.0MPa	
	Z								Customized	
Power supply	D								DC24V	
	A								AC220V	
	Z								22-245V	
Output signal									R	
									H	Pulse/4-20mA/HART
Cable entry									M	
									N	1/2"NPT
									Z	Customized
Accuracy									1	
									2	0.15%
									3	0.2%
									4	0.5%
Connection									F	
									T	Thread
									C	Tri-clamp
									P	Pipe fittings
									Z	Customized
Explosion									E	
									N	Safe environment
Others								Z	Customized	