

SF300

# PLASTIC FLOW METER – Spring Type

**SF300** with alarm switch type  
without alarm switch type

Approvals:

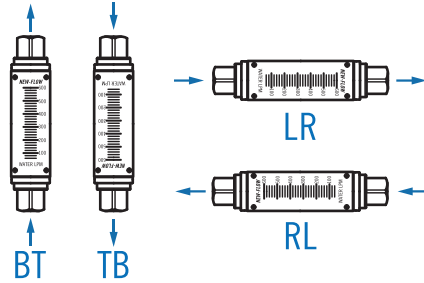


## Technical Data

**Service:** Liquid, Oil  
**Wetted Parts Material:**  
 Body: Polycarbonate (P.C); Polysulfone (PSU) available  
 O-Ring: Viton  
 Float: magnet cover with PPS plastic  
 Connection: SS316  
 Spring: SS316  
**Connection Size:** 3/8", 1/2", 3/4" NPT female available  
**Mounting:** Vertical and Horizontal available, various flow directions  
**Max. Working Pressure Limit:** 1.2 MPa (12 kg/cm<sup>2</sup>)  
**Max. Test Pressure:** 2.0 MPa (20 kg/cm<sup>2</sup>) (water 25°C)  
**Max. Working Temperature Limit:** -10°C to 60°C (for PC body)  
 -10°C to 110°C (for PSU body)

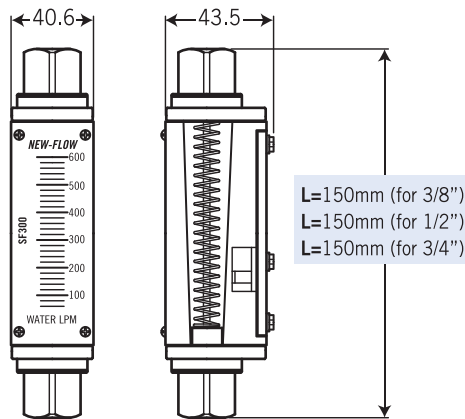
**Accuracy:** ±5% full scale  
**Alarm Switch:** One or Two setting points, form A N.O. type bistable reed switch  
**Switch Rating:** AC 125V 0.5A / DC 100V 10W / Max. DC 250V<40mA  
**Weight:** 0.3~0.4 kg (Contact setting point should be within 10% to 80% of FS)

## Flow Direction Type

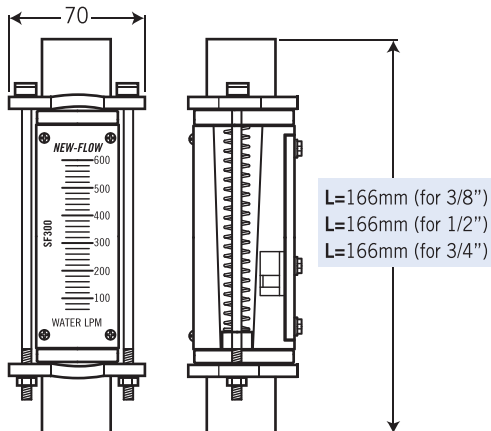


## Dimensions-mm

**SF-300-G: Original Type**



**SF-300-F: Fixed Type**



Original Type

Fixed Type

## Ordering Information

SF300	Code	Type
	G	Original Type
	F	Fixed Type
	<b>Code</b>	<b>Flow Range</b> (Water:LPM-Litter per Minute & GPM-Gallon (us) per Minute)
	A	1~4 LPM
	B	2~10 LPM
	C	2~20 LPM
	D	3~30 LPM
	E	4~40 LPM
	F	5~50 LPM
	G	6~60 LPM
	H	0.2~1 GPM
	I	0.5~2.5 GPM
	J	0.5~5 GPM
	K	0.8~8 GPM
	L	1~10 GPM
	M	1.3~13 GPM
	N	1.5~15 GPM
	<b>Code</b>	<b>Alarm Switch</b>
	1R	One setting point
	2R	Two setting point
	O	Without alarm
	<b>Code</b>	<b>Body Material</b>
	PC	Polycarbonate
	PSU	Polysulfone
	<b>Code</b>	<b>Connection Material</b>
	1	SS316
	<b>Code</b>	<b>Process Connection (Female)</b>
	A	3/8"NPT
	B	1/2"NPT
	C	3/4"NPT
	<b>Code</b>	<b>Flow Direction</b>
	BT	Bottom to Top
	TB	Top to Bottom
	RL	Right to Left
	LR	Left to Right
SF300		Complete Ordering Code