

# VARIABLE AREA TYPE FLOW METER (ROTAMETER)

## KB TYPE

### Operation Principle

The variable area flow meter content a float & taper tube. The fluid flow through the taper tube and force up to the float. The flow rate is measured as a function of the area of the opening. This area displayed in indicating ring as the float that is free to move to produce the varying area.

### Application

#### A. Measuring the flow rate for:

- Chemical process system
- Water treatment system
- Industrial flow system

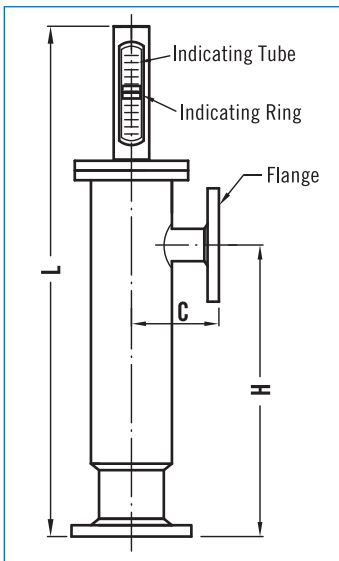
#### B. Service Condition:

- Viscosity:  $\leq 100\text{cP}$
- Max. working temperature:  $150^{\circ}\text{C}$
- Max. working pressure:  $100\text{ kg/cm}^2$  (according to flange rating)

Approvals:



### Dimensions



### Standard Range Table & Dimensions

Size	Range	H <sub>2</sub> O (max.) M <sup>3</sup> /H	AIR (max.) Nm <sup>3</sup> /H	DIMENSION			
				L	H	C	Flange
15A	0.06 ~ 0.6	1 ~ 12	380	200	80	1/2"	
20A	0.12 ~ 1.2	2 ~ 20	380	200	80	3/4"	
25A	0.3 ~ 3	5 ~ 50	400	210	80	1"	
32A	0.6 ~ 6	10 ~ 100	400	210	80	1 1/4"	
40A	1.2 ~ 12	20 ~ 200	400	210	100	1 1/2"	
50A	2 ~ 20	30 ~ 300	430	220	100	2"	
65A	3 ~ 30	40 ~ 400	430	220	100	2 1/2"	
80A	5 ~ 50	50 ~ 500	580	300	120	3"	
100A	7 ~ 70	60 ~ 600	720	400	150	4"	
125A	10 ~ 100	80 ~ 800	800	430	180	5"	
150A	15 ~ 150	100 ~ 1000	850	450	200	6"	

unit=mm

### Ordering Information

KB-TYPE	Code	Model	Code	Float Material
	KBS	stainless steel wetted parts		(1) SS304 (2) SS316
		<b>Code</b> <b>Size</b>		<b>Code</b> <b>Seal Material</b>
		(1) 15A (2) 20A (3) 25A (4) 32A (5) 40A (6) 50A		(1) NBR (2) Viton (3) Teflon
		(7) 65A (8) 80A (9) 100A (10) 125A (11) 150A		<b>Code</b> <b>Protection Supporter Material</b>
		<b>Code</b> <b>Connection Rating</b>		(1) SS304 (2) SS316
		(1) JIS 10K (2) JIS 20K (3) ANSI 150#		<b>Code</b> <b>Fluid</b>
		(4) ANSI 300# (5) DIN PN40		L for liquid
		<b>Code</b> <b>Body (wetted parts) Material</b>		G for gas
		(1) SS304 (2) SS316		<b>Code</b> <b>Flow Range</b>
		(3) Option		Please directly fill out the flow range in the order code.
		<b>Code</b> <b>Indicating Tube Material</b>		
		(1) Borosilicate glass (2) PC		
KB-TYPE			+	