

FS20

FLOW SWITCH FS20

*FS20R & FS20 Din Weather Proof
FS20X – Explosion Proof*



FS-20R

Technical Data

Size: From ½" to 1"
Service: For "Non-corrosive" liquid fluid available

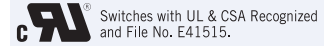
**In general, We DON't recommend using FS20 for the seawater application! But, if it is necessary, please let us know, we can customize the special magnet with lining to match up!*

Material: Wetted parts 316 stainless steel
Temperature Limit: -20 to 150°C
Pressure Limit: 7.0 MPa (70 kg/cm²)
Enclosure Housing: FS20R- Weather proof
FS20 Din- Weather proof
FS20X- Explosion proof
Switch Function: SPDT micro switch
Switch Rating: 3A/250VAC, 3A/30VDC, 0.4A/125VDC
Conduit Connection: Female ½", ¾" G, NPT, and M20xP1.5 or M25xP1.5 available

Patent No.

M290238

Approvals:



CAUTION.

If using the FS20 for the Emergency Shower, please contact with the manufacturer at the first!!

WWW.NEW-FLOW.COM • TEL: 886-7-8135500 • FAX: 886-7-8225588 • Email: info@new-flow.com



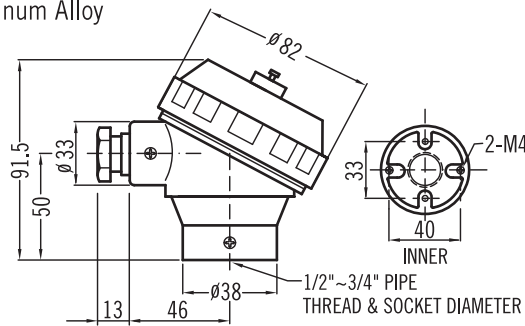
FS-20 DIN

Head Type

FS20R – Weather Proof IP68

Material: Aluminum Alloy

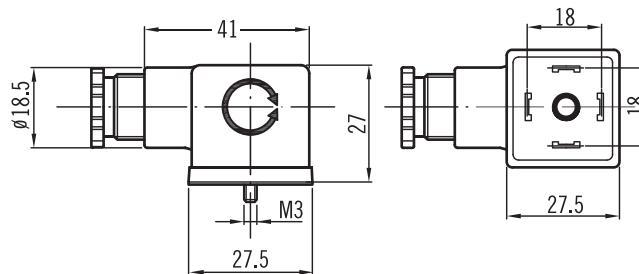
unit=mm



FS20 Din – Weather Proof IP65

Material: Thermoplastic Rubber
Cable Gland: PG9
Connector: DIN43650

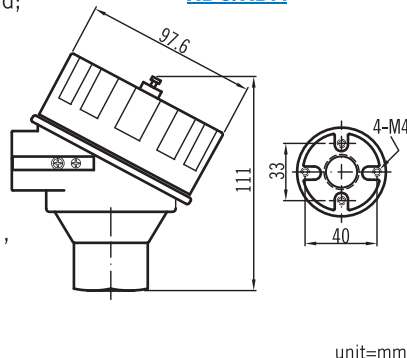
unit=mm



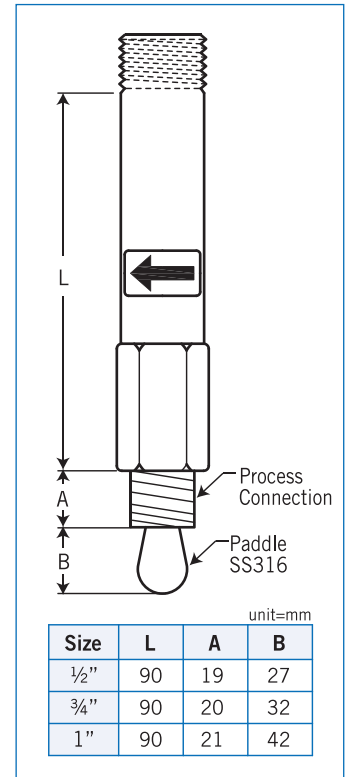
FS20X – Explosion Proof

Material: Aluminum Alloy- standard; SS316 available
ATEX directive code: II 2 G D
Standard code: Ex d IIC T6, Ex tD A21 T100°C IP68
FM Approvals: XP/II/1/ABCD/T6; DIP/II, III/1/EFG/T6; Type 4X, Explosion proof for Class I, Division 1, Groups A,B,C and D; and dust-ignition proof for class II, III, Division 1, Groups E,F and G, hazardous (classified) locations; indoor/outdoor (NEMA Type 4X).

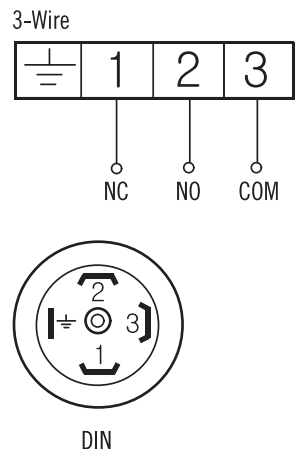
XDS/XDA



Dimensions



Connection Diagram

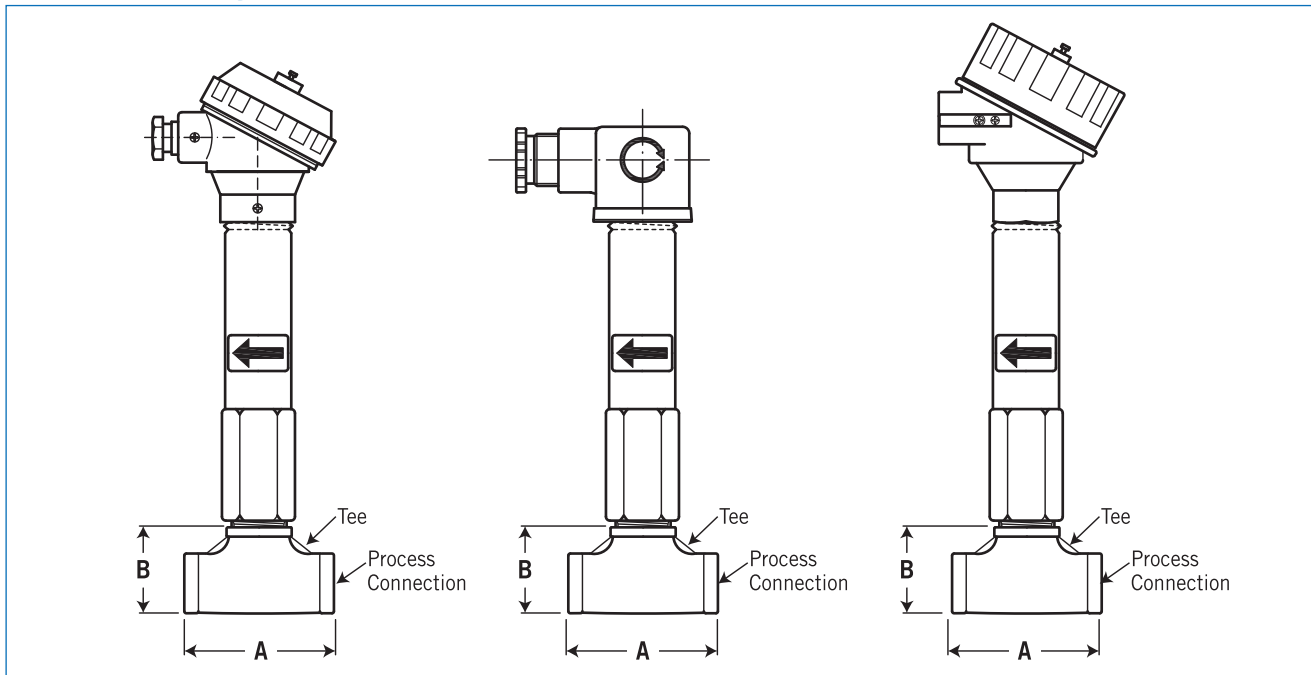


Flow Rate Table

Process Connection (Female with Tee Fitting)	Flow Rates Required Water at 25°C		Dimensions for Tee		
	Acuate (on) ℓ/hour	Deacuate (off) ℓ/hour	A (mm)	B (mm)	REMARK
½"NPT	380,...460	150,...210	52	45	---
¾"NPT 1"NPT	550,...610	140,...240	64	47	¾" Paddle & ¾" Tee
			67	49	¾" Paddle & 1" Tee
1"NPT	930,...1010	750,...780	72	49	---

NOTE. The Flow Rate Table is only for reference. Please consult with manufacturer for the accurate flow rate if without tee fitting.

With Tee Drawings



Ordering Information

Model	Code	Type
↓	FS-20R	Weather Proof Type
		FS-20 DIN
	Code	Weather Proof Type
		FS-20X
	Process Connection	Explosion Proof Type
		Code
	A	With Tee (Material: SS316) (1) ½"NPT (2) ¾"NPT (3) 1"NPT (4) 1"NPT (but ¾" paddle)
	B	Without Tee (4) ½"NPT (5) ¾"NPT (6) 1"NPT
	Code	Head Housing Type
		Code
	Weather Proof (1) HN (only for FS-20R) (2) DIN 43650 (only for FS-20 DIN) (0) Option	
	Explosion Proof (3) XDS (4) XDA (0) Option	
Code	Conduit Size	
	Code	Conduit Size
	(1) ½"NPT(F), standard (2) PG9 cable gland (only for FS-20 DIN) (0) Option	
Code	Explosion Proof Type / Head Housing Type	
	Code	Explosion Proof Type / Head Housing Type
N	For Weather Proof Type, FS-20R and FS-20 DIN	
S	Certificate on Housing Only / XDS & XDA: Class I, Groups A, B, C & D; Class II, Groups E, F & G; NEMA 4X	
↓		Complete Ordering Code

Reminder before ordering:

In general, We DON't recommend using FS20 for the seawater application! But, if it is necessary, please let us know before placing an order, we can customize the special magnet with lining to match up!