

## High pressure Sight Glass Indicator

# NORIS

Bauform 912

### Application:

The flow indicators are used for optical control of fluids and gases, for horizontal and vertical pipe lines.

### Operating conditions:

Working pressure: up to 160 bar  
Working temperature: with borosilicate glass max. 280°C  
with quartzglass up to 500°C

### Installation:

Optional

### Possible Connection:

Flange connection acc. to DIN up to PN 160  
Flange connection acc. to ANSI up to 1.500 LBS  
Butt weld ends  
Female-threaded

### Dimensions:

Working pressure and nominal diameter have an affect on the length.

### Options:

with - ANSI-flanges  
- Butt weld ends  
- Heating jacket  
- Sight glass light - fittings

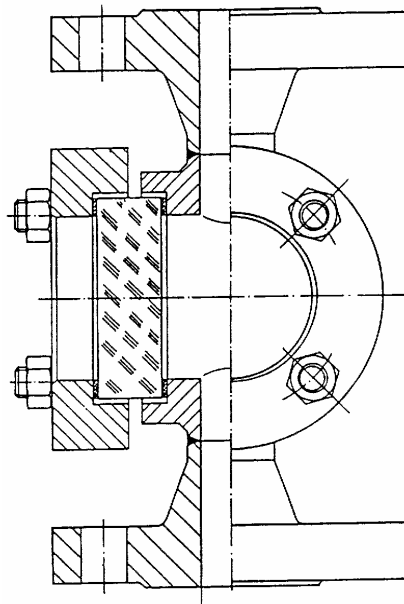
### Materials:

All materials which can be welded are possible.

### Certificate: ( Option )

Acc. to EN 10204 - 2.2 or  
Acc. to EN 10204-3.1

High pressure -  
design



Modification reserved

# NORIS ARMATUREN Burkenstein GmbH & Co. KG

Puscherstrasse 3  
D-90411 Nürnberg

Telefon: +49 (0) 911 / 52 150 63  
Telefax: +49 (0) 911 / 52 24 40

Internet: [Noris-Armaturen.de](http://Noris-Armaturen.de)  
E-Mail: [Noris@Noris-Armaturen.de](mailto:Noris@Noris-Armaturen.de)