

# PRECISION TEST GAUGE IN CHEMICAL EXECUTION ACCORDING TO DIN EN 837-1


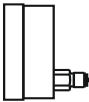


also available in safety execution acc. to DIN EN 837-1/S3

**Diameter 160**  
**Connection position radial bottom  
or eccentric back**

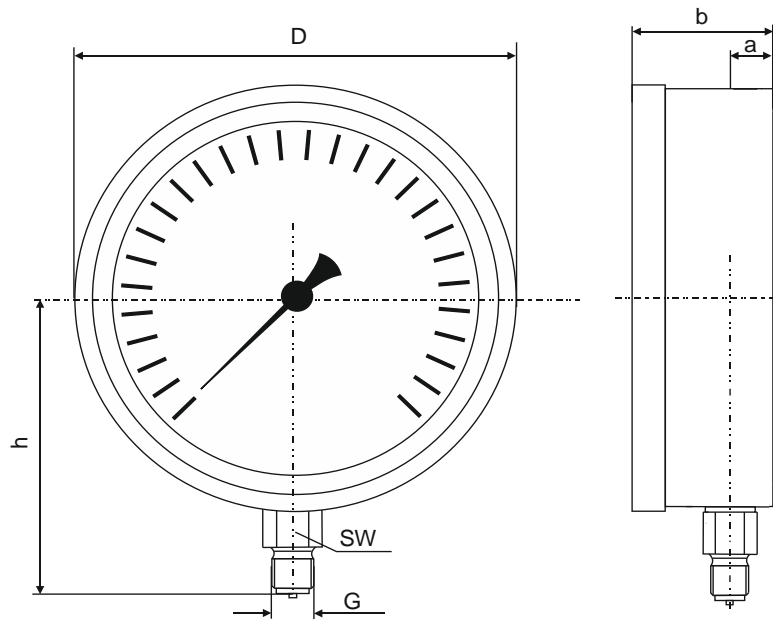
For the exact pressure measurement and pressure testing of tanks, pipes, valves in the laboratory and in quality assurance.



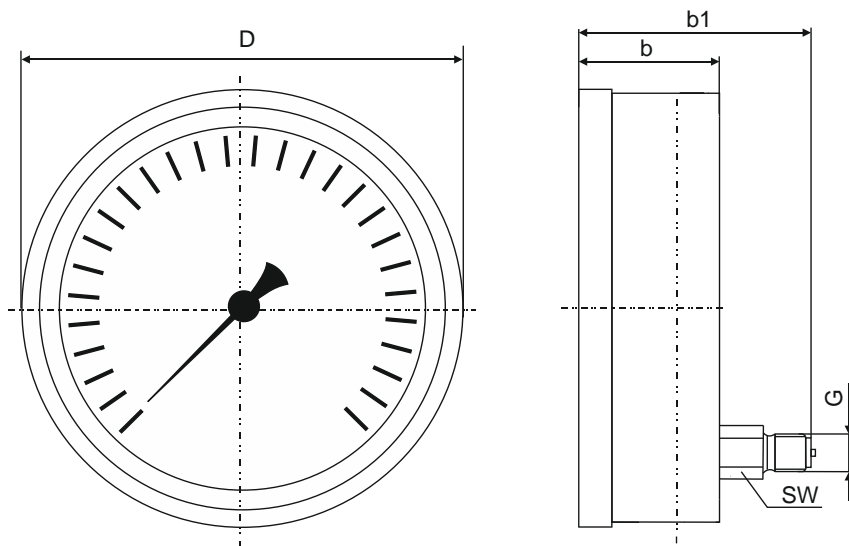
Type	8761	8781	Options
Diameter	160		
Symbol			safety execution = type 8801 ND 250 = type 8891
Accuracy class	0,6 according to DIN EN 837-1		cl. 0,25 or 0,1
Ranges	0...0,6 up to 0...1600 bar according DIN EN 837-1 negative and/or positive overpressure		
Application	Constant load: up to end of scale value Alternating load: up to 0,9-fold end of scale value Short time: 1,3-fold overload capacity		
Case	Stainless steel 1.4301 blow-out back		rear flange
Ring	Stainless steel 1.4301		front flange
Window	Laminated safety glass		
Dial	Al white, scale and printing black		mirror scale zero-point adjustment
Pointer	Knife edge pointer, Al black according to DIN 16102		max. indicator micro adjustment
Movement	Stainless steel		
Measuring element	Stainless steel 1.4571 up to 40 bar C-feeder		
Pressure connection	Stainless steel 1.4571		
Connection position	radial bottom	eccentric back	
Thread	G 1/2 B/M20x1,5		others on request
Temperatures	Medium: -20°C up to 80°C, ambient: -20°C up to 60°C		
Temperature drift	0,3%/10K deviation of normal temperature 20°C		
Orifice			Ø 0,3; Ø 0,4; Ø 0,8
Protection	IP 54 according to EN 60529/IEC 529		
Calibrated medium	up to 10 bar: air, above 10 bar: oil		above 2,5 bar: oil
Approx. weight	2,1 kg	2,2 kg	

Please tell the used medium when ordering, because with the change of the pressure transmitting medium gas (G) or liquid (F) display changes can be take place.

Type	Dimensions in mm							
	ND	a	b	b1	D	G	h	SW
8761	160	15	51	-	160	G 1/2 B	118	22
8781	160	-	51	86	160	G 1/2 B	118	22



**Type 8761**



**Type 8781**