

**PRESSURE GAUGE WITH BOURDON TUBE
GLYCERINE FILLING
STAINLESS STEEL CASE
ACCORDING TO 837-1**



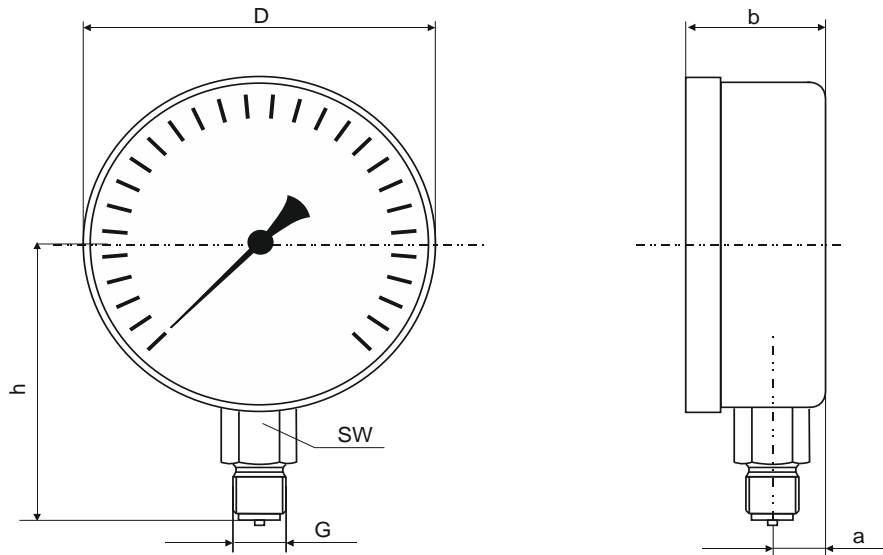
**Diameter 100, 160
Connection position radial bottom
or eccentric back**



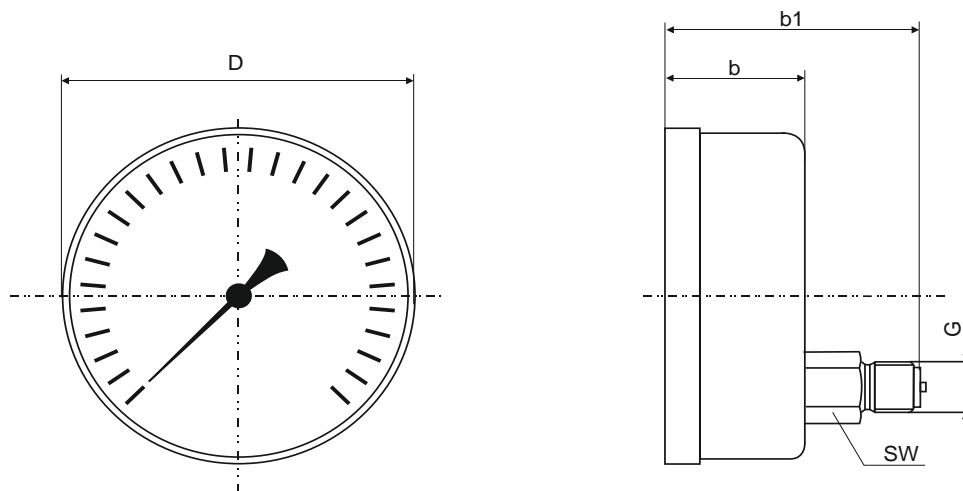
For measuring tasks where strong mechanical vibrations or pressure pulses may arise. The glycerine filling ensures a smooth pointer movement and thus for good readability even in extreme loads and high vibration stress. The lubricating effect of the silicone oil or glycerine also has a favorable effect against increased wear.

Type	7781	7791	7801	7811	Options
Diameter	100		160		
Symbol					Glycerine filling
Accuracy class	1,0 according to DIN EN 837-1				
Ranges	0...0,6 up to 0...1000 bar negative or positive overpressure				MPa, kPa
Application	Constant load: up to end of scale value Alternating load: up to 0,9-fold end of scale value Short time: 1,3-fold overload capacity				up to 2-fold
Case	Stainless steel, 1.4301 (with blow-out plug)				
Ring	Stainless steel, 1.4301, bayonet				rear or front flange
Window	Flat instrument glass				
Dial	Al white, scale and printing black				Dual scale
Pointer	Al black				max. indicator/marker pointer
Movement	CuZn-alloy				
Measuring element	Cu-alloy				
Pressure connection	Brass				
Connection position	radial bottom	eccentric back	radial bottom	eccentric back	
Thread	G 1/2 B, M20x1,5				others on request
Temperatures	Medium: -20°C up to 80°C, ambient: -25°C up to 60°C				special solder 130°C
Protection	IP 65 according to EN 60529/IEC 529				
Orifice	Ø 0,3; Ø 0,4; Ø 0,8 mm				
Approx.weight	0,9 kg	0,9 kg	2,1 kg	2,1 kg	

Type	Dimension in mm							
	NG	a	b	b1	D	G	h	SW
7781	100	15	49	-	101	G 1/2 B	85	22
7791	100	-	49	85,5	101	G 1/2 B	-	22
7801	160	21	52	-	160	G 1/2 B	118	22
7811	160	-	52	92	160	G 1/2 B	-	22



Type 7781/7801



Type 7791/7811