

THERMOCOUPLES

with connection head
with exchangeable measuring insert



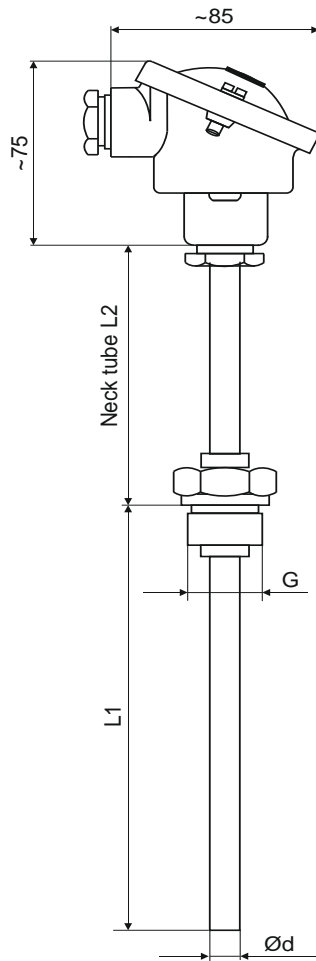
For universal use in processes with liquid and gaseous media, at low to medium pressures.

Type	7060	Options
Version	Basic implementation	Ex-implementation GL-implementation
Connection head	Form B acc. DIN 43 729	Form BUZ (Ex-Version), other on request
Application temperature	up to +800°C	
Protection classification	IP 54 acc. DIN 60 529	Other on request
Thermo junction	J (Fe-CuNi) DIN EN 60 584 K (NiCr-Ni) DIN EN 60 584	valuable elements on request
Number of thermo junction	1 thermocouple 2 thermocouple	
Wire size	1 mm	
Protective tube material	1.4571	
Thread G	G ½ A, G ¾ A, M20 x 1,5, M27 x 2	Other on request
Ø d Protective tube	11 mm	Other on request
Insert length L1	160, 250 400 mm	Other on request
Neck tube L2	130 mm	Other on request
Application	Air-conditioning and refrigeration Pressure vessel and piping Chemical industry Equipment construction Heating and furnace construction	Ship building industry (GL-implementation)

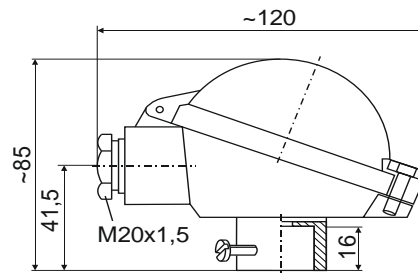
Dimensioned drawing

Dimension in mm

With connection head Form B



Connection head Form BUZ



Operating temperature / Limit deviations for thermocouples type J and K according to DIN 60 584
(Cold junction temperature 0 ° C)

Typ	max. permissible continuous operating temp. in air (°C)	Permissible limiting error for class 1	in temperature range	Permissible limiting error for class 2	in temperature range
J	700 (temporary 900)	± 1,5 °C	-40°C up to 375 °C	± 2,5 °C	-40°C up to 333 °C
		± 0,004· t	375 up to 750°C	± 0,0075· t	333 up to 750°C
K	1000 (temporary 1200)	± 1,5 °C	-40°C up to 375 °C	± 1,5 °C	-40°C up to 333 °C
		± 0,004· t	375 up to 1000°C	± 0,004· t	333 up to 1000°C