

# PRESSURE GAUGES WITH DIAPHRAGM FOR CHEMICAL INDUSTRY



with ATEX-approval available  
also available with safety case!

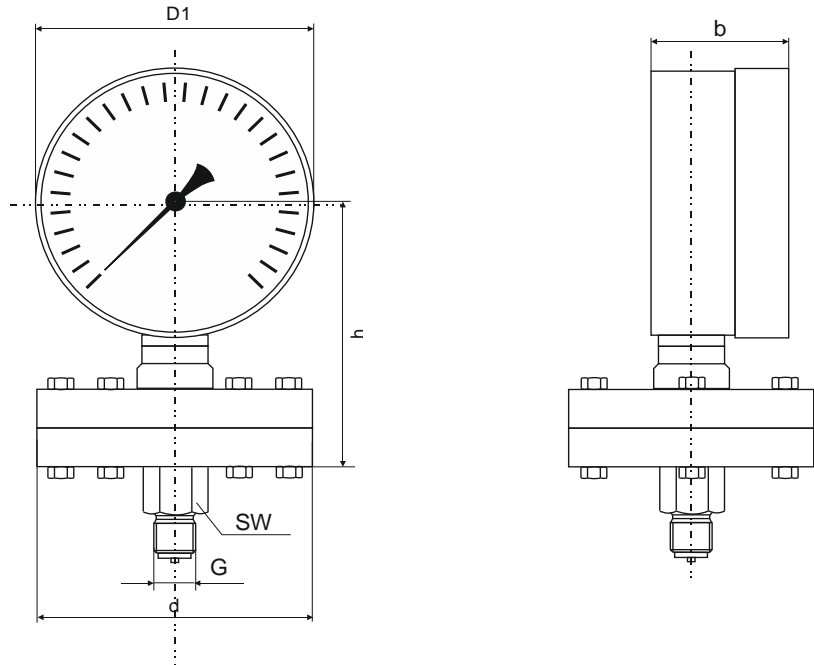
Diameter 100, 160  
with or without filling

For the exceptionally stringent demands occurring in service within the chemicals and petrochemicals industries. Open process connections ensure that the gauges are easy to clean even with viscous or crystallizing process media, thus guaranteeing process reliability.



Type	6302	6312	6321	6331	Options
Diameter	100		160		
Symbol		 Glycerine filling		 Glycerine filling	Esteroil (silicone free)
Accuracy class	1,6 according to EN 837-3				
Ranges	0..16 mbar up to 0...250 mbar: flange Ø 160 mm 0...0,4 bar up to 0...40 bar: flange Ø 100 mm all corresponding ranges for neg. or neg. and pos. gauge pressure				MPa, kPa
Application	Constant load: up to end of scale value Alternating load: up to 0,9fold end of scale value Short time: 1,3 x overload capacity				underpressure proof up to -1 bar
Case	Stainless steel, pressure vent in back of case				
Ring	Bayonet ring, stainless steel 1.4301				
Window	Laminated safety glass				
Dial	Al white, scale and printing black				Dual scale
Pointer	Al black				
Movement	Stainless steel				
Measuring element	elastic, stainless steel 1.4571 / Duratherm 600				
Upper flange	Stainless steel				
Thread	G 1/2 B, M20x1,5				others on request
Temperatures	Medium: up to 100°C, ambient: -20°C up to 60°C				
Protection	IP 54 (filled IP 65) according to DIN EN 60529/IEC 529				
Seal to pressure chamber	FPM				Metal bellows (stainless steel)
Open process connection / wetted parts					acc. to DIN DN 15 - DN 80 PTFE, Hastelloy, Monel, Nickel, Tantalum, Titanium

**Dimensioned drawings**

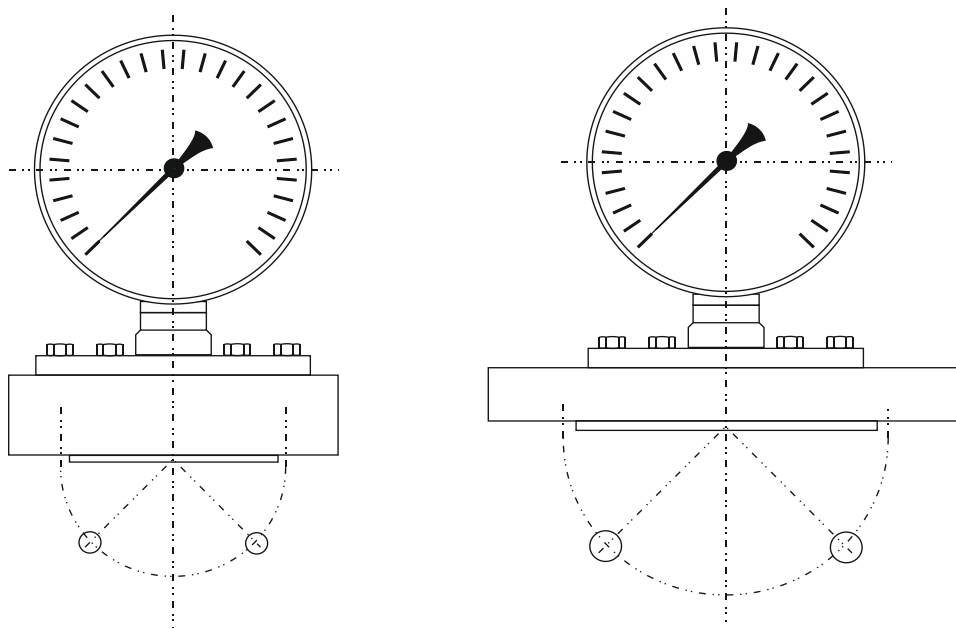


ND	Type	bar	Dimensions in mm							Weight (kg)	
			d	a	b	D	G	h	SW	unfilled	filled
100	6302	<math>\leq 0,25</math>	160	15,5	49	101	G1/2B	127	22	3,4	3,9
160	6321	<math>\leq 0,25</math>	160	15,5	49	161	G1/2B	156	22	4,3	5,2
100	6312	<math>\geq 0,4</math>	100	15,5	49	101	G1/2B	127	22	2,1	2,6
160	6331	<math>\geq 0,4</math>	100	15,5	49	161	G1/2B	156	22	3	3,9

**Options with flange**

DIN DN 25

DIN DN 50



Dimensioned drawings see sheet 1.29, page 4