

DIFFERENTIAL PRESSURE GAUGE

with or without limit switch or potentiometer



Nominal size ND 100, ND 160



Description

This differential pressure gauges are suitable for overpressure, vacuum and differential pressure measurements in the field of industrial measurement technology.

These measuring instruments are suitable for liquid and gaseous, also for aggressive media.

Applications

chemical industry
petrochemical industries
process engineering
marine and off-shore

Features

- highly corrosion resistant
- maximum pressure 10 x full scale value
- different installation variations


Ranges

0 ... 250 mbar up to 0 ... 25 bar

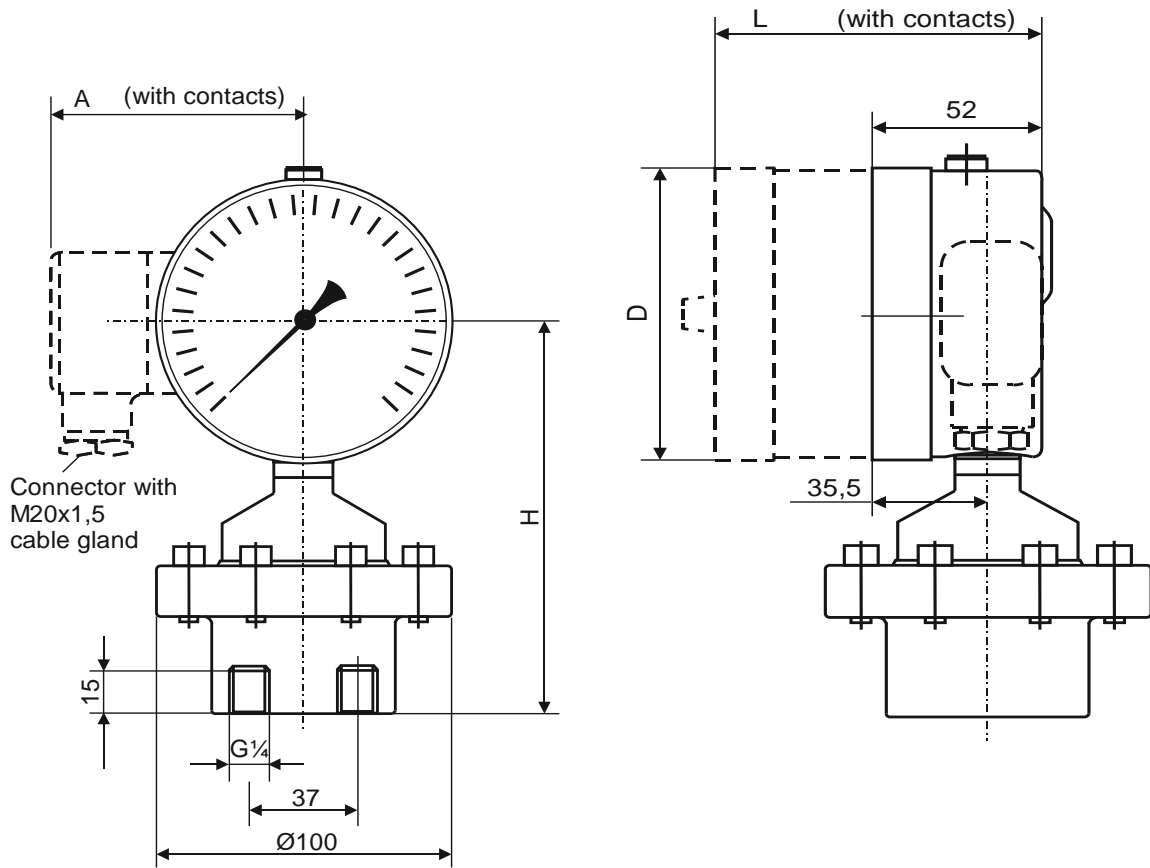
different pressure connection

- G $\frac{1}{4}$, G $\frac{1}{2}$ female
- $\frac{1}{4}$ NPT, $\frac{1}{2}$ NPT female
- G $\frac{1}{4}$, G $\frac{1}{2}$ male
- $\frac{1}{4}$ NPT, $\frac{1}{2}$ NPT male

Technical data

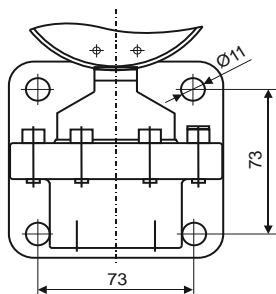
Type	5597	5598	Options
Symbol			safety version
Nominal size	100	160	
Accuracy class	± 2,5% FS		± 1,6% from 100 mbar
Differential pressure measuring ranges	0 ...25 mbar up to 0 ... 25 bar		others on request
Nominal pressure	PN10 (measuring range ≤ 250 mbar) PN25 (measuring range ≥ 400 mbar)		
Overload	(+) and (-) 10 x FS		
Case / movement	Stainless steel 1.4301		safety housing acc. to DIN 16006
Window	Laminated safety glass		
Diaphragm measuring system (wetted part)	Measuring ranges ≤ 400 mbar Stainless steel 1.4571 (AISI 316Ti) Measuring ranges ≥ 0,6 bar NiCrCo-Leg. (DURATHERM®)		O ₂ application
Dial / pointer	Aluminium		adj. reference pointer, paek registering pointer (≥60mbar)
Seals	FKM		EPDM, FKM, FEP
Zero adjustment	yes, ±25% vom Messbereich		
Pressure connections	Male thread G½, G¼, 1/4 NPT, 1/2 NPT Female thread G½, G¼, 1/2 NPT, 1/4 NPT		
Temperatures	ambient temperature -20...+80°C media temperature 100°C storage -15...75°C		
Temperature coefficient	approx. 0,3%/10 K		
Protection class	IP54 acc. to DIN EN 60529		
Mounting	Standard		Wall mounting, 2" pipe mounting
Liquid filling	without contacts: glycerine with contacts: Napvis with inductive contacts: silicone oil		
Contacts	Magnetic snap-action low action contact inductive contact potentiometer		

Measuring ranges 0,4 bar ...25 bar

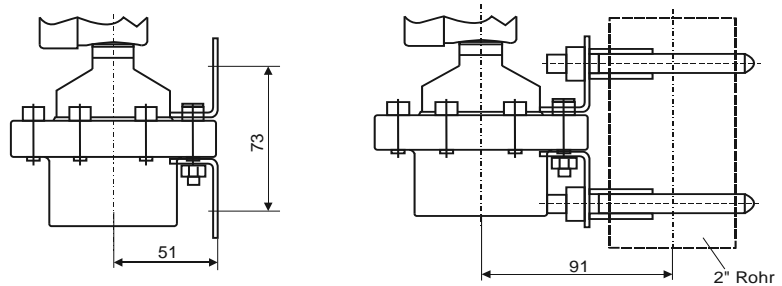


Type	NG	D	H	A	L	L safety version
5597	100	101	140	86	100	116
5598	160	161	170	120	102	118

Option: wall mounting

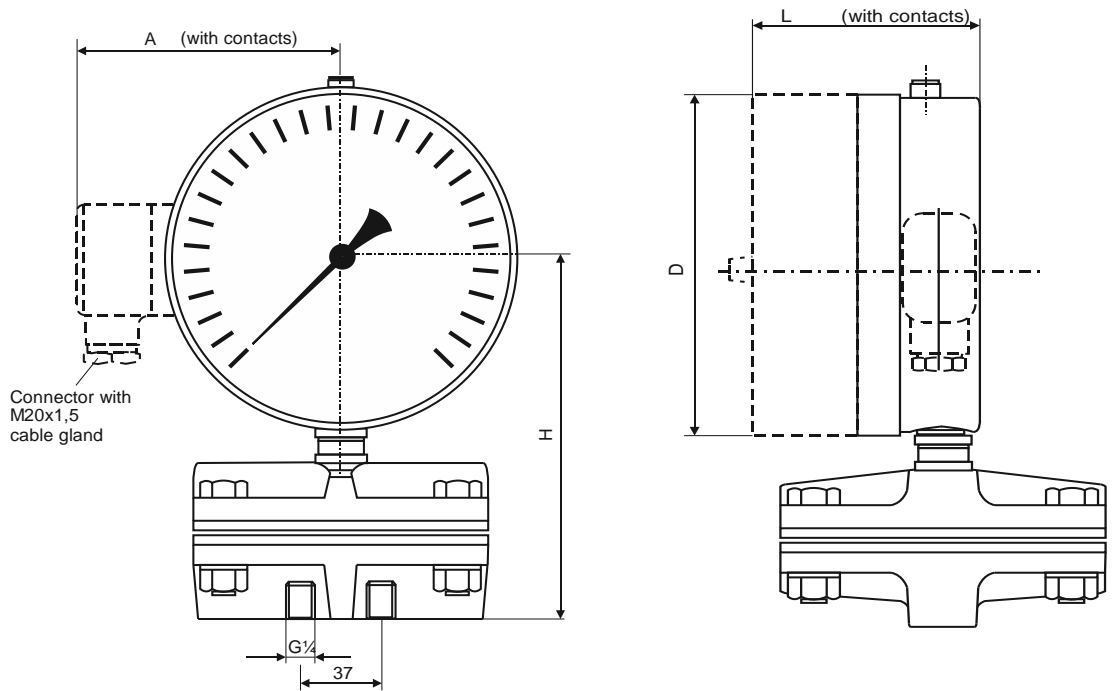


Option: pipe mounting



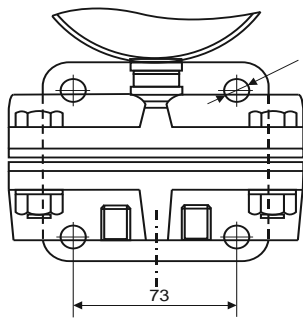
Dimensional drawings Dimensions in mm

Measuring ranges 25 mbar.....250 mbar

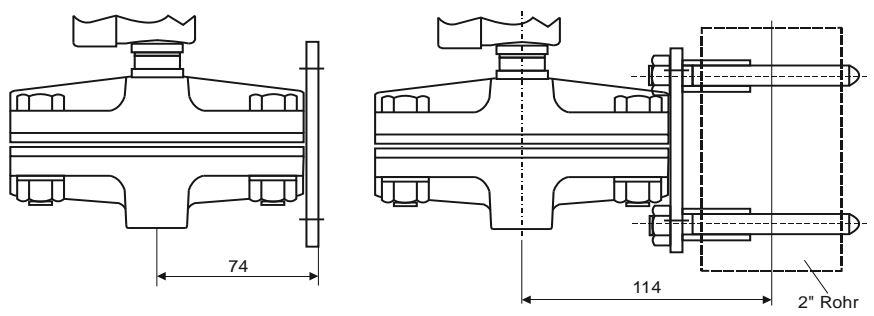


Type	NG	D	H	A	L	L safety version
5597	100	101	140	86	100	116
5598	160	161	170	120	102	118

Option: wall mounting

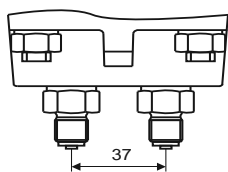


Option: pipe mounting



Pressure connections

Male thread



Female thread

