

DIFFERENTIAL PRESSURE TRANSMITTER WITH CONTACT FOR FLUID AND GASES DISPLAY AND PRESSURE PORT ROTATABLE



2 piezoresistive stainless steel sensors
Differential pressure from 0...1 up to 0...70 bar

Areas of application

- Mechanical and plant engineering
- Chemical industry
- Energy industry
- Energy heating, air-conditioning, ventilation
- Food and beverage

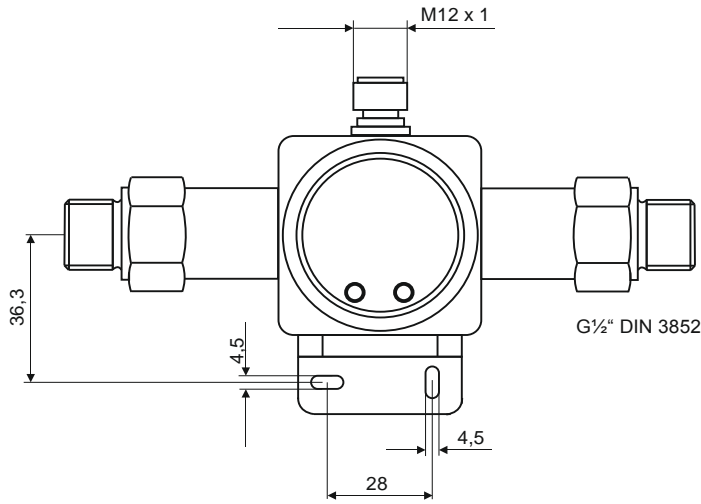


Type	5359	Options
Differential pressure range	0...1 bar up to 0...70 bar	
Pressure connection	Stainless steel 1.4404 G $\frac{1}{2}$ DIN 3852	G $\frac{1}{4}$, $\frac{1}{4}$ NPT
Case	Pa 6.6, Polycarbonate	
Seals (wetted parts)	FKM	others on request
Diaphragm	Stainless steel 1.4435	
Wetted parts	Pressure ports, seals, diaphragm	
Display	4-digit red LED-display, digit size 7 mm range of indication -1999...+9999 digital damping 0,3...30s (programmable)	
Current consumption	Signal output current: max: 60mA (without switching current)	
Weight	approx. 350 g	
Operational life	> 100 x 10 ⁶ pressure cycles	
Protection	IP 65	
Electrical connection	Connector M 12 x 1 / 5-pin (IP67)	others on request
Analogue signal	3-wire: 4...10 mA 24VDC \pm 10%	
Permissible load	500 Ω	
Accuracy	$\leq \pm$ 1% BFSL	
Contact - number type	1 PNP	2 independent PNP
Max. switching current	125 mA, short circuit proof	
Switching accuracy ¹⁾	$\leq \pm$ 0,5% FSO	
Repeatability	$\leq \pm$ 0,1% FSO	
Switching cycles	> 100 x 10 ⁶	
Delay time	0...100 s	
Tolerance band	$\leq \pm$ 1,5% FSO	
TC, average	\pm 0,2% FSO / 10 K	
Thermal error in comp.range	0 ... 70 °C	
Permissible temperatures	Medium: -40...125°C; ambient: -25...80°C, storage: -40...85°C	
Short-circuit protection	permanent	
Reverse polarity protection	no damage, but also no function	
Electromagnetic compatibility	Emission and immunity according to EN 61 326	
Mechanical stability	Vibration: 10g RSM (20-2000Hz), shock: 100g/11 ms	

¹⁾ Accuracy according to IEC 60770 - limit point adjustment (non-linearity, hysteresis, repeatability)

Dimensioned drawing

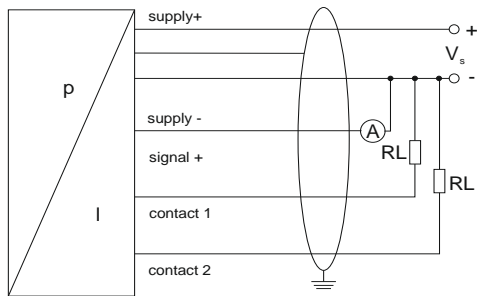
Dimension in mm



Pressure range (bar)

Differential pressure range	Permissible static pressure
0...1	1
0...2	2
0...3,5	3,5
0...7	7
0...20	20
0...35	35
0...70	70

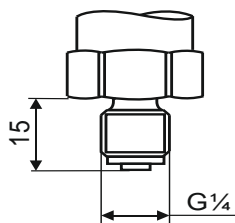
Wiring diagram



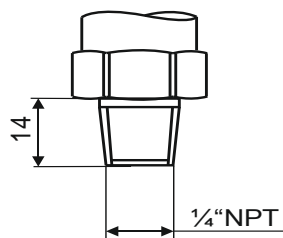
Pin configuration

Electrical connections	M12 x 1 (5-pin) plastic	Cable outlet (IP67)
Supply +	1	wh (white)
Supply -	3	bn (brown)
Signal +	2	gn (green)
Contact 1	4	gy (grey)
Contact 2	5	pk (pink)
Shield	via pressure port	ye/gn (yellow/green)

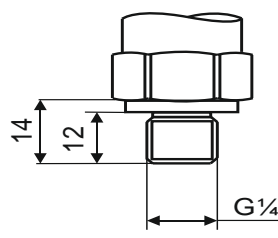
Pressure connection



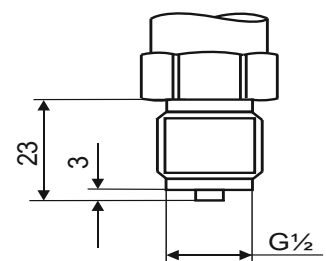
G1/4" EN 837



1/4" NPT



G1/4" DIN 3852



G1/2" EN 837