

**Pressure Transmitter
with internal diaphragm**
also with ATEX approval
for Zone 0 and 1 available



**Pressure transmitter with rugged, compact design
with a high accuracy and long life**



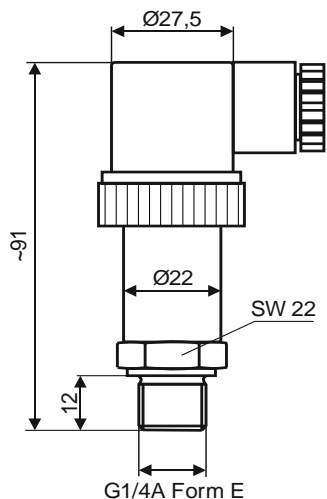
areas of application

Industrial and Mechanical Engineering
Hydraulics, pneumatics
Plant engineering and automation technology



Model	3340	3345	Options
Pressure ranges	Relative pressure , 0 ... 1 bar up to 0 ... 1000 bar		
Output signal	4 ... 20 mA (2-wire, 3-wire)	0 ... 10 V (3-wire)	other on request
Operating voltage	9 ... 32 V _{DC}	12 ... 32 V _{DC}	
Response time	< 1ms		
Proof voltage	350 V _{DC}		710 V _{DC}
Accuracy	0,50% @RT; incl. nonlinearity, hysteresis, repeatability, zero-offset and final-offset (acc. To IEC 61298-2)		0,25% of the range
Non-linearity	0,15 % of the range		
Repeatability	0,10 % of the range		
Stability/year	0,10 % of the range		
Temperature ranges			
Measuring medium	-40 ... 125°C		
Ambience	-40 ... 105°C		-55°C
Storage	-40 ... 125°C		
Mean TC offset	≤0,15/10K % of the range		
Mean TC range	≤0,15/10K % of the range		
Total error	-40°C 2,00% of the range; 105°C 2,00% of the range		
Material			
case	stainless steel		
wetted parts	stainless steel		
Pressure connection	G ¼		G 1/2 or M20x1,5
Shock resistance	1000 g acc. IEC 68-2-32		
Vibration resistance	20 g acc. IEC 68-2-6 and IEC 68-2-36		other on request
Mass	80-120 g - depending on design		
CE-conformity	EG Direktive 89/336/EWG		
Protection class	IP67		IP69K
Connectors	MVS/A acc. DIN EN 175301-803 A		
	MVS/C acc. DIN EN 175301-803 E , M12		

Data ranges / pressure / burst pressure, please refer to sheet 3/3



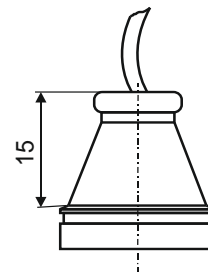
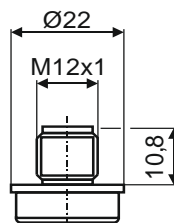
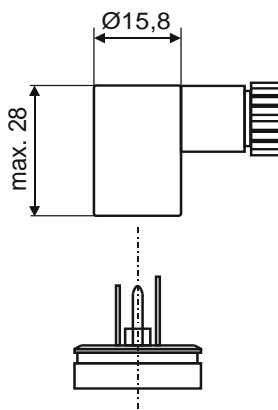
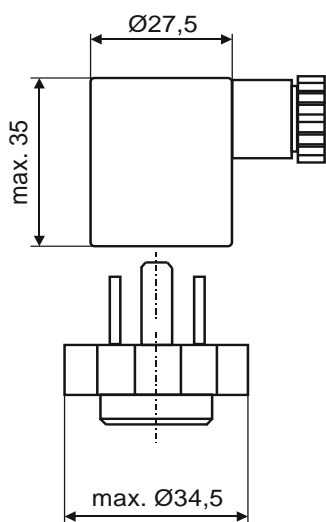
Connectors

MVS/A DIN EN 175301-803

MVS/C DIN EN 175301-803

male socket M12x1

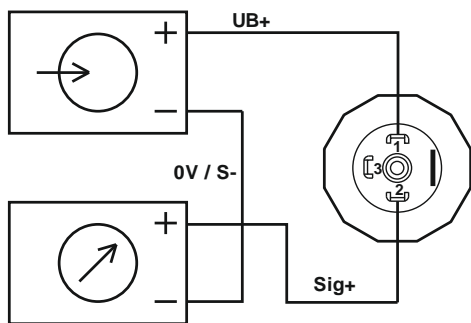
cable output



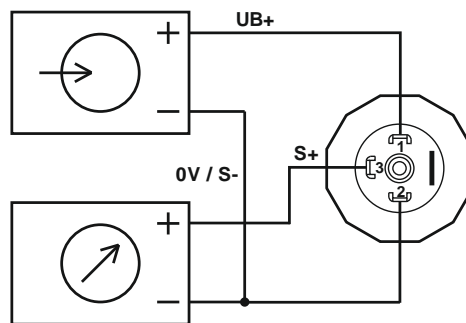
Electrical Connections

Connectors MVS/A acc. DIN EN 175301-803

2-wire

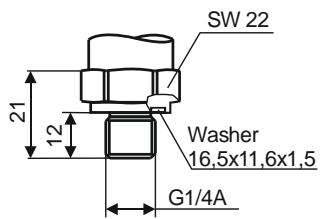


3-wire

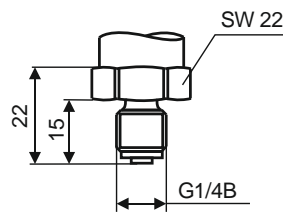


Pressure Connections

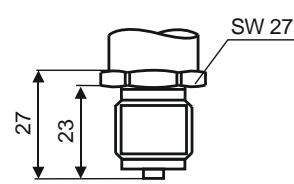
G¹/₄A Form E



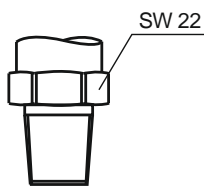
G¹/₄B



G¹/₂B



1/4NPT



Specifications

Measuring range	Overload pressure	Burst pressure
1	6	9
1,6	6	9
2	6	9
2,5	10	15
4	10	15
6	20	30
10	20	30
16	40	60
20	40	60
25	100	150
40	100	150
60	200	300
100	200	300
160	400	600
200	400	600
250	750	1000
400	750	1000
600	840	1050
1000	1200	1500