

DIGITAL PRESSURE GAUGE TYPE 3321 AND 3322



Nominal size 80

7-segment LCD

Accuracy $\leq \pm 0,5\% \pm 1$ digit



Description

The digital manometer can be used to measure pressure in gaseous and liquid media (water, oil) that do not attack VA alloys and are not highly viscous.

The robust stainless steel housing and the battery supply allow flexible use.

The bar graph display integrated in the display with drag pointer function (for series 3322 with 2nd display), as well as the minimum and maximum measured value memory enable an effective analysis of the measuring point.

The option of unit switching from bar to psi or MPa is integrated.

Applications

- Mechanical engineering
- Hydraulics and pneumatics
- Pumps and compressors
- Service tasks

Features

- Case and wetted parts made of stainless steel
- 7-segment LCD display, digit size 11 mm
- Peak recording Min-/Max
- Switching the pressure unit from bar to MPa or psi
- Type 3322 with background lighting, tare function, password protection, reset to factory settings

Measuring ranges

- 0...5 bar up to 0...600 bar
- Vacuum -1...+5 bar up to -1...+10 bar

Options and accessories

- 14-digit LCD (digit size 7 mm)
- Rubber protection cap (black)
- Minimes connector (max. pressure strength 630 bar)



DRUCK & TEMPERATUR

Technical data

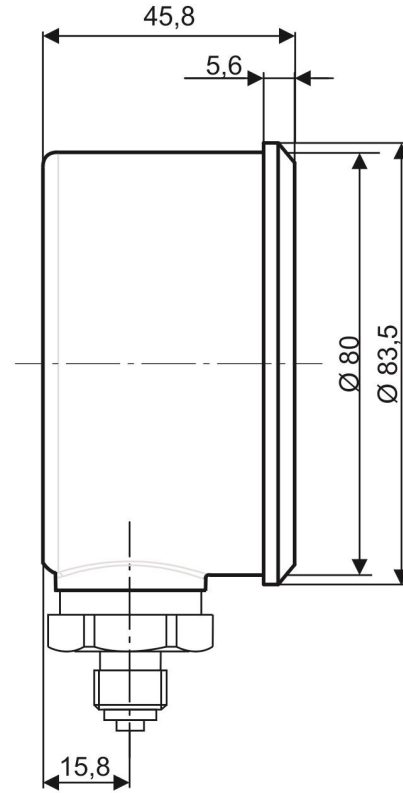
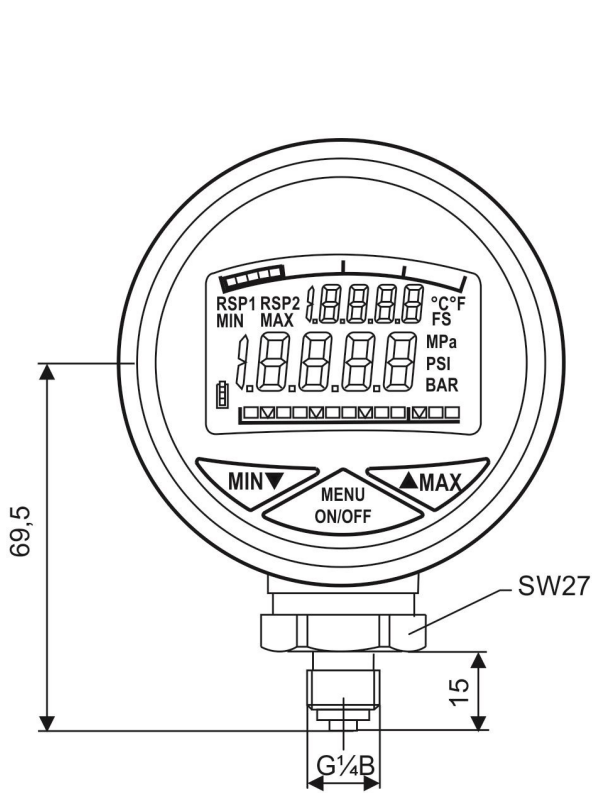
Type	3321	3322
Nominal size	NS 80	
Accuracy	$\leq \pm 0,5\%$ FS ± 1 digit, vacuum and +/- measuring ranges $\leq \pm 1,0\%$ FS ± 1 Digit incl. non-linearity, hysteresis, zero offset and end value deviation (corresponds to measured error per IEC 61298-2)	
Measuring ranges	-1...0 bar, -1...+5 / -1...+10 bar 0...5 / 0...10 / 0...20 / 0...50 / 0...100 / 0...160 / 0...250 / 0...400 / 0...600 bar 0...145 up to 0...10.000 psi (9999 at type 3321) -30 inHg...+72 psi and -30 inHg...+145 psi	
Long-term stability	$\leq \pm 0,2\%$ FS/year	
Overpressure	2-fold, example: -1...5 bar, 0...5 bar - 10 bar / 0...600 bar - 1200 bar	
Temperature error at 0...60°C	Mean temperature coefficient of zero point - $\leq \pm 0,15\%$ of span/10K Mean temperature coefficient of span - $\leq \pm 0,15\%$ of span/10K	
Material connection Material case	CrNi 316 Ti CrNi 304	
Front foil and window	Polyester	
Thread	G $\frac{1}{4}$ A, G $\frac{1}{4}$ B optional G $\frac{1}{2}$ B, $\frac{1}{4}$ NPT, $\frac{1}{2}$ NPT	
Display / digit size	7-segment- LCD, 4-digit, digit size 11 mm	7-segment- LCD, 4 $\frac{1}{2}$ -digit optional 14-segment LCD digit size 11 mm / 7mm
Display range	-1999...9999	-1999...19999
Update	200 ms	
Backlight	No	Yes
Bargraph	Yes, with drag pointer function	Yes, with drag pointer function and 2. display
Rotatability	No	Yes, 300°
Medium temperature Area temperature Storage temperature	-30°C...+100°C (-22°F...212°F) -10°C...+60°C (14°F...140°F) -20°C...+70°C (-4°F...158°F)	
Protection acc. IEC 60529	IP65	
Power supply	2x 1,5 V AA, battery life 4.000 hours, when using batteries with a capacity of 2.000 mAh	
Min-/Max-Memory	Yes	Yes
Automatic power off	No	Yes - 15, 30, 60, 120 minutes
Tara function	No	Yes
Unit switching	Yes - bar, psi, MPa	
Password protection	No	Yes
Reset to factory setting	No	Yes
Weight	approx. 0,410 kg	approx. 0,410 kg

Type 3321, 3322

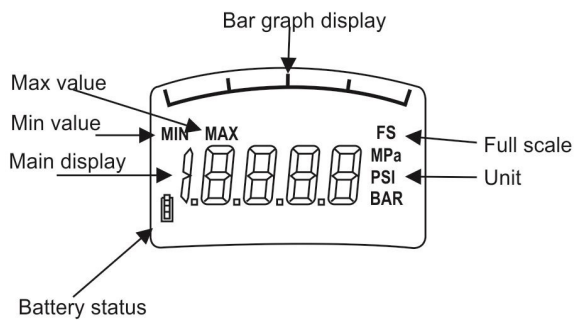
Dimensional drawings

Dimensions in mm

Type 3321, 3322



Display type 3321



Display type 3322

