

Digital pressure gauge NS 80

Nominal pressure 0...100 mbar up to 0...600 bar

Accuracy 0.25% or 0.5%

With battery



Description

The battery powered digital pressure gauge has been specially designed for applications in hydraulics and pneumatics. It could be installed easily and quickly in situ. The display module is continuously rotatable so that a clear readability is guaranteed even in unusual installation positions.

Operation

The device can be operated menu driven via three pushbuttons in the touchpad. Besides showing information about the nominal pressure range as well as minimal and maximal pressure of the process, several pressure units (bar, mbar, PSI, mWs, inHg, cmHg, mmHg, kPa, MPa) and the position of decimal point can be set. Upper and lower range of the measured range can be recalibrated by the customer. Defaults can be loaded again via menu.

Characteristics

- Rugged, rotatable plastic housing
- 4,5-digit LC display for showing the measured value
- 6-digit additional display for the unit (digit height 7.5 mm)
- Easy configuration via three push buttons
- Accuracy 0.125 / 0.250 % FS BFSL (IEC 60770: 0,25 / 0,5 % FS)
- Ingress protection IP 65
- Mechanical connection:
 - G 1/2 EN 837
 - G 1/4 EN 837
 - 1/2" NPT
 - 1/4" NPT

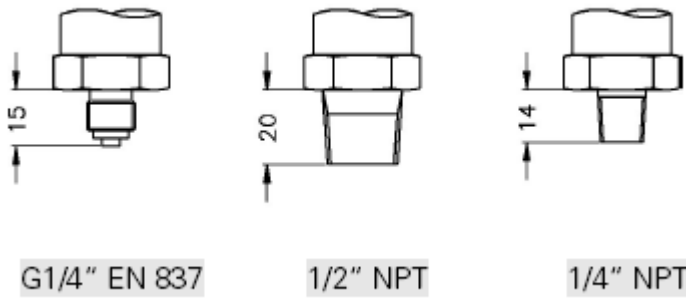
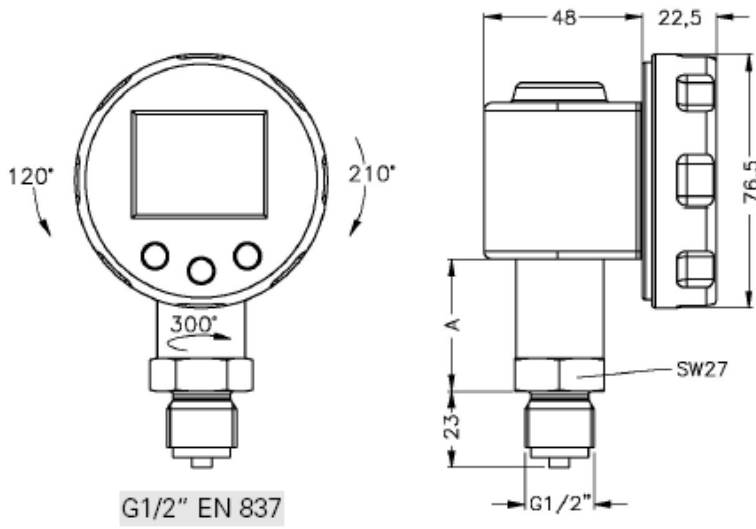
Applications

Hydraulics
Pneumatics
Mechanical engineering

Technical specification

Model	3319		3320	
Accuracy	0,5%		0,25%	
Display	LC display, visible range 40x30 mm 4,5-digit, 7-Segment-main display, digit height 11 mm 6-digit 14-Segment-additional display, digit height 7.5 mm			
Sensor	Ceramic		Stainless steel	
Power supply	2x 3,6 V Lithium batteries, Type ½ AA Standby-Mode: approx. 5 years			
Nominal pressure rel./ abs.	<u>Pressure</u>	<u>permiss. overpressure</u>	<u>Pressure</u>	<u>permiss. overpressure</u>
	1,6 bar 2,5 bar 4 bar 6 bar 10 bar 16 bar 25 bar 40 bar 60 bar 100 bar 160 bar 250 bar 400 bar	4 bar 4 bar 10 bar 10 bar 20 bar 40 bar 40 bar 100 bar 100 bar 200 bar 400 bar 400 bar 600 bar	0,10 bar 0,16 bar 0,25 bar 0,4 bar 0,6 bar 1 bar 1,6 bar 2,5 bar 4 bar 6 bar 10 bar 16 bar 25 bar 40 bar 60 bar 100 bar 160 bar 250 bar 400 bar 600 bar	0,5 bar 0,5 bar 1 bar 1 bar 1 bar 3 bar 6 bar 6 bar 20 bar 20 bar 20 bar 60 bar 60 bar 100 bar 140 bar 340 bar 340 bar 600 bar 600 bar 1000 bar
Material - Display case - Seals (media wetted) - Pressure port/diaphragm - Media wetted parts	PA 6.6, Polycarbonate < 100 bar: FKM; ≥ 100 bar: NBR Stainless steel 1.4571; 1.4435 or ceramic Al ₂ O ₃ 96%		PA 6.6, Polycarbonate ≤ 40 bar: FKM, EPDM; > 40 bar: NBR	
Data memory	EEPROM (non-volatile)			
Ingress protection	IP 65			
Installation position	any (The digital pressure gauge is calibrated in a vertical position with the pressure connection down. If this position is changed on installation there can be slight deviations in the zero point for devices with stainless steel sensor and pressure range P _n ≤ 1 bar)			
Weight	Approx. 300 g			

Dimensions



G1/4" EN 837

1/2" NPT

1/4" NPT

Size	with stainless steel sensor	with ceramic sensor
A	35	41,5