

PLASTIC PROBE

for waste water or most of aggressive media



Nominal pressure 0...40 cmH₂O up to 0...100 mH₂O

Applications

Sewage

waste water treatment
water recycling
dumpsite

Aggressive media

level measurement in most
of acids and lyes



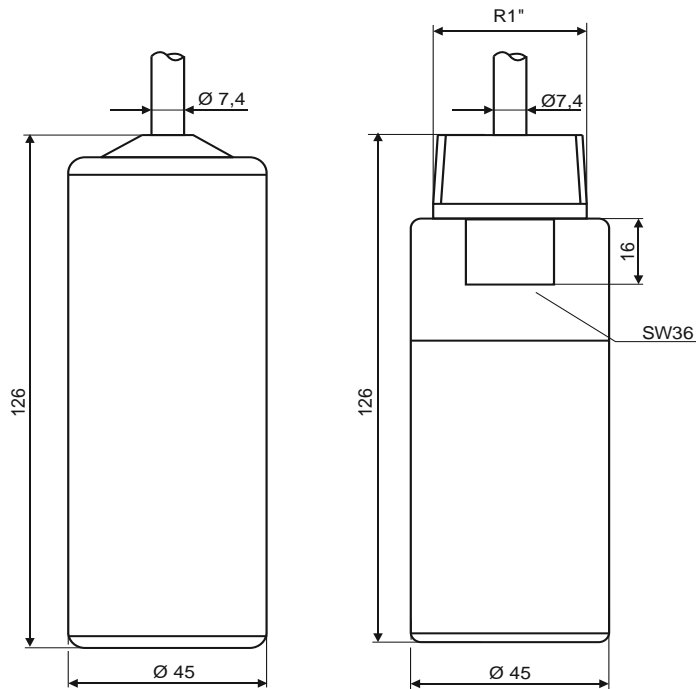
Type	3232	Options
Nominal pressure	0...40 cmH ₂ O up to 0...100 mH ₂ O	
Output signals	4 ... 20mA (2-wire)	3-wire 0...10V
Power supply	9 ... 32 V _{DC} (2-wire)	3-wire 12,5 ... 32 VDC
Mean response time	<200 msec, max. 380 msec	
Accuracy	± 0,35% FSO	± 0,25% FSO
Long time stability	± 0,1% FSO /year at reference conditions	
Permissible load	$R_{max} = [(U_B - U_{bmin}) / 0,02A] \Omega$	
Turn-on time	700 msec	
Influence effects	Supply: 0,05% FSO / 10 V, load: 0,05% FSO / K Ω	
Thermal error	± 0,1% FSO / 10 K im comp. range 0...70°C	
Temperatures	Medium / storage / environment -25...100°C	
Electrical protection	permanent short-circuit protection, reverse polarity protection, emission and immunity acc. to EN 61326	add. external overvoltage protection unit in terminal box
Electrical connection	cable with sheath material PUR (-25...70°C) black FEP (-25...70°C) black; do not use if effects due to highly charging processes TPE (-25...100°C) blue	
Materials	Case: PP Diaphragm: ceramics Al ₂ O ₃ 99,9% Seals: FKM, FFKM, EPDM	Case: PVDF
Current consumption	max. 21 mA	
Weight	approx. 320 g withou cable	
Protection	IP 68	
Options	Terminal clamp	

Input pressure range

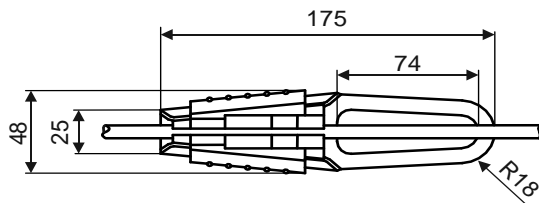
Nominal pressure gauge	bar	0,04	0,06	0,1	0,16	0,25	0,4	0,6	1	1,6	2,5	4	6	10
Level	mH2O	0,4	0,6	1	1,6	2,5	4	6	10	16	25	40	60	100
Overpressure	bar	2	2	4	4	6	6	8	8	15	25	25	35	35

Dimensional drawings

Dimensions in mm

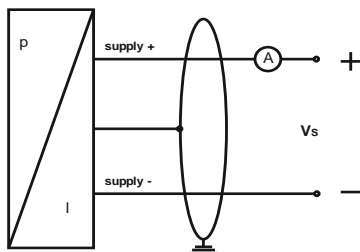


Terminal clamp for cable Ø5,5...10,5 mm; zinc plated; optionally 1.4301

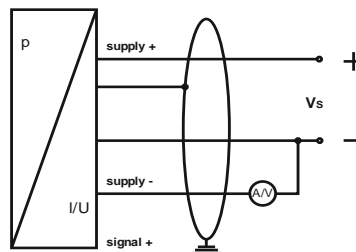


Wiring diagramm

2-wire-system (current)



3-wire-system (voltage)



Electrical connection

- Supply +
- Supply -
- Signal + (only for 3-wire)
- Shield

Cable colours (IEC 60757)

- wh (white)
- bn (brown)
- gn (green)
- gnye (green-yellow)