

STAINLESS STEEL PROBE

for waste media and higher viscosity media for low levels



Nominal pressure 0...40 cmH₂O up to 0...200 mH₂O

Option: Ex-version

Applications

Water

drinking water abstraction

Sewage

waste water treatment, water recycling

Fuel / oil

level monitoring in open tanks

with low filling heights

fuel storage, tank farms / biogas plant



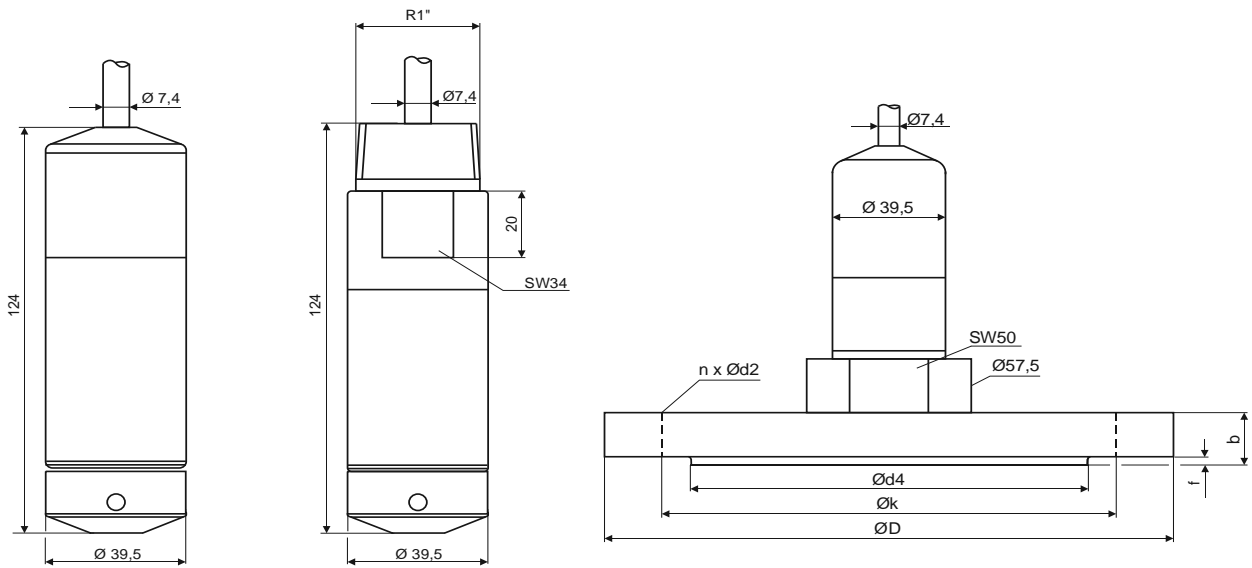
Type	3230	Optionen
Nominal pressure	0...40 cmH ₂ O up to 0...200 mH ₂ O	
Output signals	4 ... 20mA (2-wire)	Ex-version 4...20 mA
Power supply	9 ... 32 V _{DC} (2-wire)	Ex-version 14...28 V _{DC}
Mean response time	<200 msec, max. 380 msec	
Accuracy	≤± 0,35% FSO	≤± 0,25% FSO
Long term stability	≤± 0,1% FSO / year at reference conditions	
Permissible load	$R_{max}=[(U_B-U_{bmin})/0,02A]\Omega$	
Turn-on time	700 msec	
Influence effects	Supply: 0,05% FSO / 10 V, load: 0,05% FSO / K Ω	
Thermal error	≤±0,1% FSO / 10 K in compensated range 0...70°C	
Temperatures	Media / storage / environment -25...125°C	
Electrical protection	permanent short-circuit protection, reverse polarity protection, emission and immunity acc. to EN 61326	add. external overvoltage protection unit in terminal box
Electrical connection	cable with sheath material PVC (-5...70°C) grey PUR (-25...70°C) black FEP (-25...70°C) black; do not use if effects due to highly charging processes TPE (-25...125°C) blue	
Materials	Case: Stainless steel 1.4404 Diaphragm: ceramics Al ₂ O ₃ 96% Seals: FKM, FFKM, EPDM Protection cap: POM	Diaphragm: ceramics Al ₂ O ₃ 99,9% Seals: others on request
Current consumption	max. 21 mA	
Weight	approx. 400 g without cable	
Protection	IP 68	
Options only for 4...20mA / 2-wire	EX-version according to ATEX Directive 2014/34/EU	
Optional	Transmitter flange, mounting flange with cable gland, Terminal clamp	

Input pressure range

Nominal pressure gauge bar	0,04	0,06	0,1	0,16	0,25	0,4	0,6	1	1,6	2,5	4	6	10	16	20
Level mH2O	0,4	0,6	1	1,6	2,5	4	6	10	16	25	40	60	100	160	200
Overpressure bar	2	2	4	4	6	6	8	8	15	25	25	35	35	45	45

Dimensional drawing

Dimensions in mm



Standard

with thread R1\"/>

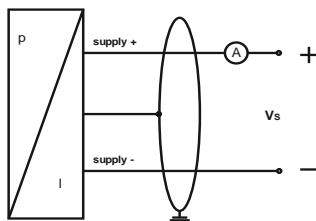
Flange version

Dimensions in mm

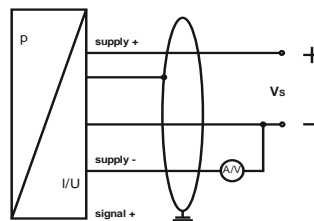
Dimensions	DN25/PN40	DN40/PN40	DN50/PN40	DN80/PN16
D	115	150	165	200
k	85	110	125	160
d4	68	88	102	138
b	18	18	20	20
f	2	3	3	3
n	4	4	4	8
d2	14	18	18	18

Wiring diagramm

2-wire-system (current)



3-wire-system (voltage)



Electrical connection

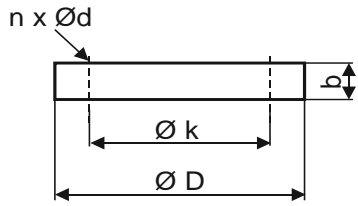
Supply +
 Supply -
 Signal + (only for 3-wire)
 Shield

Cable colours (IEC 60757)

wh (white)
 bn (brown)
 gn (green)
 gnye (green-yellow)

Accessories

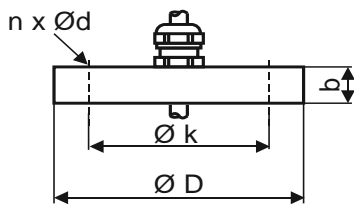
Transmitter flange for flange version, stainless steel 1.4404



Dimensions in mm

Version	D	k	b	n	d	Weight
DN25 / PN40	115	85	18	4	14	1,2 kg
DN50 / PN 40	165	125	20	4	18	2,6 kg
DN80 / PN16	200	160	20	8	18	4,1 kg

Mounting flange with cable gland M16x1,5 with seal insert (for cable Ø4...11 mm)



Dimensions in mm

Version	D	k	b	n	d	Weight
DN25/PN40	115	85	18	4	14	1,4 kg
DN50/PN40	165	125	20	4	18	3,2 kg
DN80/PN16	200	160	20	8	18	4,8 kg

- Flange material: Stainless steel 1.4404
- Material of cable gland: Brass, nickel plated (opt. Stainless steel, plastic)
- Seal insert: TPE (Protection IP68)
- Hole pattern: acc. to DIN 2507

Terminal clamp for cable Ø5,5...10,5 mm; steel, zinc plated, optional 1.4301

