

26.600 G

OEM Pressure Transmitter Standard

Applications

- ▶ mechanical and plant engineering
- ▶ general industrial applications

Characteristics

- ▶ ceramic sensor
- ▶ accuracy 0.5 % span according to EN IEC 62828-2
- ▶ nominal pressure ranges from 0 ... 1 bar up to 0 ... 400 bar
- ▶ option: oil and grease free version



Technical Data



Input pressure range																	
Nominal pressure gauge [bar]	-1...0 ¹	1	1.6	2.5	4	6	10	16	25	40	60	100	160	250	400		
Nominal pressure abs. [bar]	-	1	1.6	2.5	4	6	10	16	25	40	60	100	160	250	400		
Overpressure [bar]	3	3	5	5	12	12	20	50	50	120	120	200	400	400	650		
Burst pressure ≥ [bar]	4	4	7	7,5	15	18	30	70	75	150	180	300	500	750	1000		
Vacuum resistance	unlimited																

¹ for this pressure range accuracy is ≤ 1 % span IEC 60770

Output signal / Supply			
Standard	2-wire:	4 ... 20 mA	/ V _S = 8 ... 32 V _{DC}
Options	3-wire:	0 ... 10 V	/ V _S = 14 ... 30 V _{DC}
	3-wire ratiometric:	10...90 % of V _S	/ V _S = 2.7...5 V _{DC}

Performance	
Accuracy ²	≤ ± 0.5 % span for P _N -1...0 bar: ≤ 1 % span
Permissible load	2-wire: R _{max} = [(V _S - V _{S min}) / 0.02 A] Ω 3-wire: R _{min} = 10 kΩ
Influence effects	supply: 0.05 % span / 10 V load: 0.05 % span / kΩ
Response time	2-wire: ≤ 10 msec 3-wire: ≤ 3 msec
Long term stability	≤ ± 0.3 % span / year at reference conditions
Measuring rate	1 kHz

² accuracy according to EN IEC 62828-2- limit point adjustment (non-linearity, hysteresis, repeatability)

Thermal effects (Offset and Span) / Permissible temperatures			
Thermal error	≤ ± 0.3 % span / 10 K	in compensated range: -25 ... 85 °C	
Permissible temperatures	medium: -25 ... 125 °C	electronics / environment: -25 ... 85 °C	storage: -40 ... 85 °C

Electrical protection	
Short-circuit protection	permanent 3-wire ratiometric: none
Reverse polarity protection	no damage, but also no function
Electromagnetic protection	emission and immunity according to EN 61326

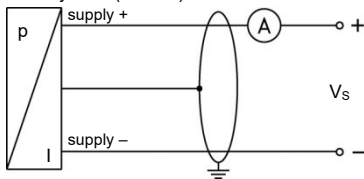
Mechanical stability	
Vibration	10 g, 25 Hz ... 2 kHz according to DIN EN 60068-2-6
Shock	500 g / 1 msec according to DIN EN 60068-2-27

Materials	
Pressure port / housing	stainless steel 1.4301 (304)
Seals (media wetted)	FKM others on request
Diaphragm	ceramics Al ₂ O ₃ 96 %
Media wetted parts	pressure port, seals, diaphragm
Miscellaneous	
Option oxygen application	for P _N ≤ 15 bar: O-ring in 70 EPDM 281 (with BAM-approval); permissible maximum values are 15 bar / 60° C and 10 bar / 90° C for P _N ≤ 25 bar: O-ring in FKM Vi 567 (with BAM-approval); permissible maximum values are 25 bar / 150° C
Weight	approx. 120 g
Current consumption	2-wire: max. 25 mA 3-wire ratiometric: typ. 1.5 mA 3-wire voltage: max. 7 mA (short circuit current: max. 20 mA)
Operational life	100 million load cycles
CE-conformity	EMC Directive: 2014/30/EU Pressure Equipment Directive: 2014/68/EU (module A) ³

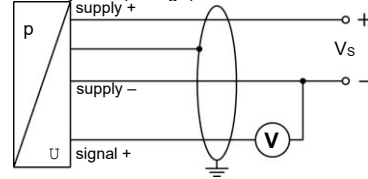
³ This directive is only valid for devices with maximum permissible overpressure > 200 bar

Wiring diagrams

2-wire-system (current)



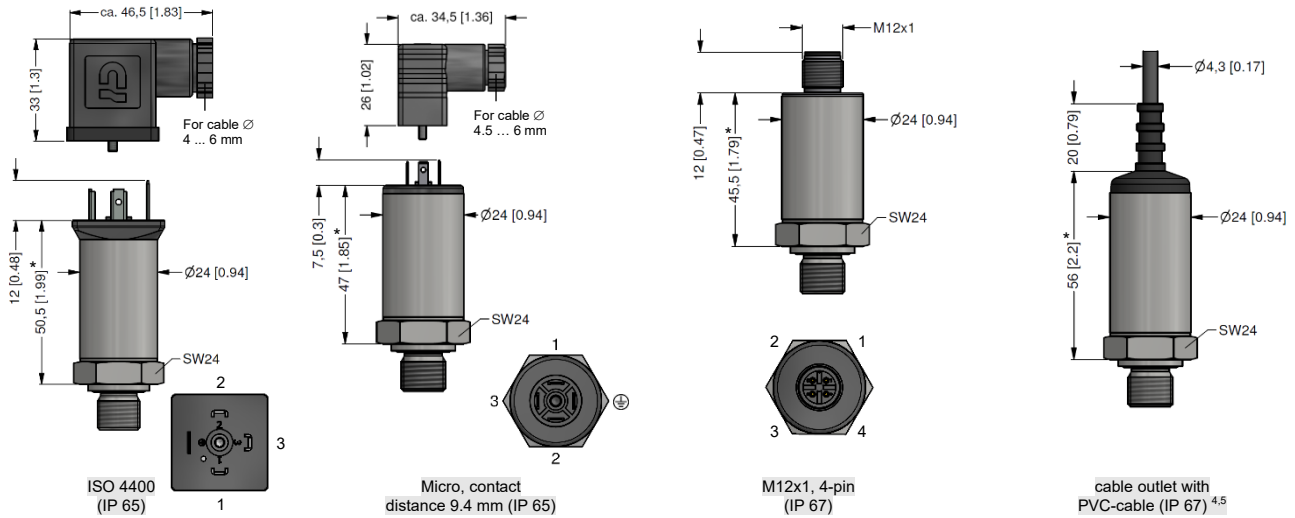
3-wire-system (voltage)



Pin configuration

Electrical connection	ISO 4400	Micro (contact distance 9.4 mm)	M12x1 (4-pin), metal	cable colours (IEC 60757)
Supply +	1	1	1	wh (white)
Supply -	2	2	2	bn (brown)
Signal + (for 3-wire)	3	3	3	gn (green)
Shield	ground pin	ground pin	4	gn/ye (green / yellow)

Electrical connections (dimensions in mm)

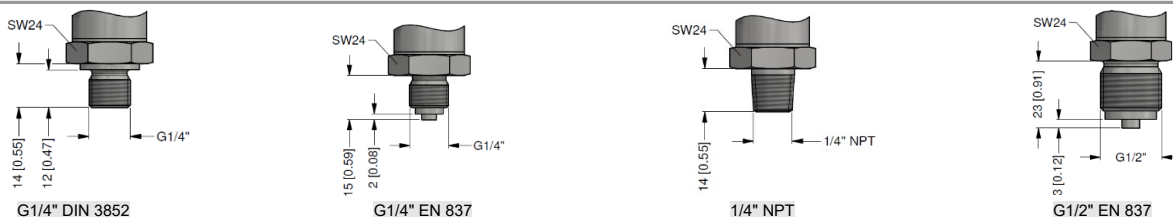


* pressure range P_N = 400 bar: total length increases by 12 mm.

⁴ standard: 2 m PVC cable without ventilation tube (permissible temperature: -5 ... 70 °C)

⁵ different cable types and lengths available, permissible temperature depends on kind of cable

Mechanical connection (dimensions in mm)



This data sheet contains product specification. properties are not guaranteed. Subject to change without notice.

Ordering code OEM 26.600G

23.08.2024

OEM 26.600G

□	□	□	□	-	□	-	□	-	□	□	□	□	-	□	□	□	□
---	---	---	---	---	---	---	---	---	---	---	---	---	---	---	---	---	---

Input [bar]																		
0 ... 1	1	0	0	1														
0 ... 1,6	1	6	0	1														
0 ... 2,5	2	5	0	1														
0 ... 4	4	0	0	1														
0 ... 6	6	0	0	1														
0 ... 10	1	0	0	2														
0 ... 16	1	6	0	2														
0 ... 25	2	5	0	2														
0 ... 40	4	0	0	2														
0 ... 60	6	0	0	2														
0 ... 100	1	0	0	3														
0 ... 160	1	6	0	3														
0 ... 250	2	5	0	3														
0 ... 400	4	0	0	3														
-1 ... 0 (accuracy 1%)	X	1	0	2														
Customer	9	9	9	9														
Customer - underpressure (accuracy 1%)	X	X	X	X														
Pressure																		
Gauge																R		
Absolute																A		
Output																		
4 ... 20 mA / 2-wire																1		
0 ... 20 mA / 3-wire																2		
0 ... 10 V / 3-wire																3		
0 ... 5 V / 3-wire																4		
4 ... 20 mA / 3-wire																7		
1 ... 5 V / 3-wire																C		
10 ... 90 % Vs / 3-wire ratiometric (Vs = 2,7 ... 5 V DC)																R		
Customer																9		
Accuracy																		
0,5 %																5		
1 % (underpressure ranges)																8		
0,5 % including Calibration Certificate																T		
1 % including Calibration Certificate																U		
Table of measured values for accuracy 0,5 %																N		
Customer																9		
Electrical connection																		
Connector DIN 43650 (ISO 4400) (IP 65)																1	0	0
Cable gland PG7 / cable length specify (IP 67)																4	0	0
+ PVC cable / 1 m																		
Connector DIN 43650 (ISO 4400) - potting compound inside (IP 67)																E	0	0
Connector M12 x 1, 4-pin (IP 67)																M	0	0
Connector M12 x 1, 4-pin (IP 67) - without plug																M	B	S
Connector M12 x 1, 4-pin (IP 67) - metal																M	1	0
Cable outlet / cable length specify (IP 67) ¹																T	A	0
+ PVC cable / 1 m																		



Customer	9	9	9							
Mechanical connection										
G 1/2" DIN 3852	1	0	0							
G 1/2" EN 837	2	0	0							
G 1/4" DIN 3852	3	0	0							
G 1/4" EN 837	4	0	0							
M 20 x 1,5 EN 837 (max. for 250 bar)	8	0	0							
1/4" NPT	N	4	0							
M 12 x 1,5 DIN 3852	C	0	0							
G 1/2" DIN 3852 open	H	0	0							
G 1/8" DIN 3852	Z	3	7							
Customer	9	9	9							
Seals										
Viton (FKM)							1			
EPDM							3			
Customer							9			
Special version										
Standard								0	0	0
Oxygen application ($P_N \leq 25$ bar)								0	0	7
Oil and grease free								0	0	8
With throttle screw M4								0	7	0
Customer								9	9	9

0,-...without additional charge

On request... in accordance with the producer

1 - cable without through capillary (permissible temperature -5 ... +70 °C)

Surcharges for calibration are not subject to any discounts. Subject to change.

This document contains the specification for ordering the product;

detailed technical parameters of the product and its possible variants are given in the data sheet.

BD SENSORS reserves the right to change sensor specifications without further notice.

