

18.600 G

OEM Pressure Transmitter Pneumatics

Applications

- ▶ compressed air network
- ▶ general mechanical engineering

Characteristics

- ▶ silicon sensor without media isolation
- ▶ accuracy 0.5 % span according to EN IEC 62828-2
- ▶ nominal pressure ranges from 0 ... 100 mbar up to 0 ... 6 bar



Technical Data

| Input pressure range | | -1 ... 0 | 0.1 | 0.25 | 0.4 | 0.6 | 1 | 1.6 | 2.5 | 4 | 6 |
|------------------------|-------|----------|-----|------|-----|-----|-----|-----|-----|----|----|
| Nominal pressure gauge | [bar] | -1 ... 0 | 0.1 | 0.25 | 0.4 | 0.6 | 1 | 1.6 | 2.5 | 4 | 6 |
| Overpressure | [bar] | 3 | 0.5 | 1 | 1 | 3 | 3 | 6 | 10 | 10 | 20 |
| Burst pressure | [bar] | 5 | 1,5 | 3 | 3 | 3 | 7,5 | 7,5 | 15 | 25 | 25 |

| Output signal / Supply | |
|------------------------|---|
| Standard | 2-wire: 4 ... 20 mA / $V_S = 8 \dots 32 V_{DC}$ |
| Option | 3-wire: 0 ... 10 V / $V_S = 14 \dots 30 V_{DC}$ |
| | 3-wire ratiometric: 10...90 % of V_S / $V_S = 2.7 \dots 5 V_{DC}$ |

| Performance | |
|-----------------------|--|
| Accuracy ¹ | $\leq \pm 0.5 \%$ span |
| Permissible load | 2-wire: $R_{max} = [(V_S - V_{Smin}) / 0.02 A] \Omega$ |
| | 3-wire: $R_{min} = 10 k\Omega$ |
| Influence effects | supply: 0.05 % span / 10 V load: 0.05 % span / k Ω |
| Response time | 2-wire: ≤ 10 msec 3-wire: ≤ 3 msec |
| Long term stability | $\leq \pm 0,2 \%$ span / year at reference conditions |
| Measuring rate | 1 kHz |

¹ accuracy according to EN IEC 62828-2– limit point adjustment (non-linearity, hysteresis, repeatability)

| Thermal effects (Offset and Span) | |
|-----------------------------------|--|
| Nominal pressure P_N | [bar] -1 ... 0 ≤ 0.4 > 0.4 |
| Tolerance band | [% span] $\leq \pm 1$ $\leq \pm 1$ $\leq \pm 0.75$ |
| in compensated range | [°C] 0 ... 70 -20 ... 85 |

| Permissible temperatures | |
|--------------------------|--|
| Permissible temperatures | medium: -25 ... 125 °C electronics / environment: -25 ... 85 °C storage: -40 ... 85 °C |

| Electrical protection | |
|-------------------------------|---|
| Short-circuit protection | permanent |
| Reverse polarity protection | no damage, but also no function |
| Electromagnetic compatibility | emission and immunity according to EN 61326 |

| Mechanical stability | |
|----------------------|--|
| Vibration | 10 g, 25 Hz ... 2 kHz according to DIN EN 60068-2-6 |
| Shock | 100 g / 11 msec according to DIN EN 60068-2-27 |



BD SENSORS s.r.o.
Hradištská 817
CZ – 687 08 Buchlovice

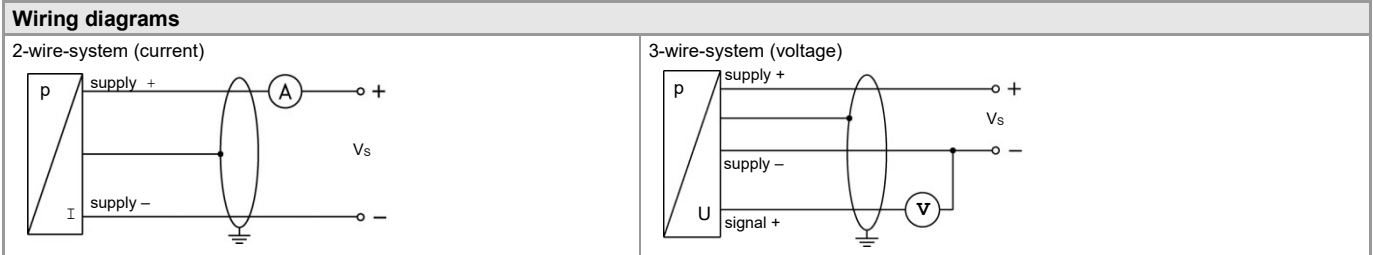
Tel.: +420 572 411 011

www.bdsensors.cz
info@bdsensors.cz



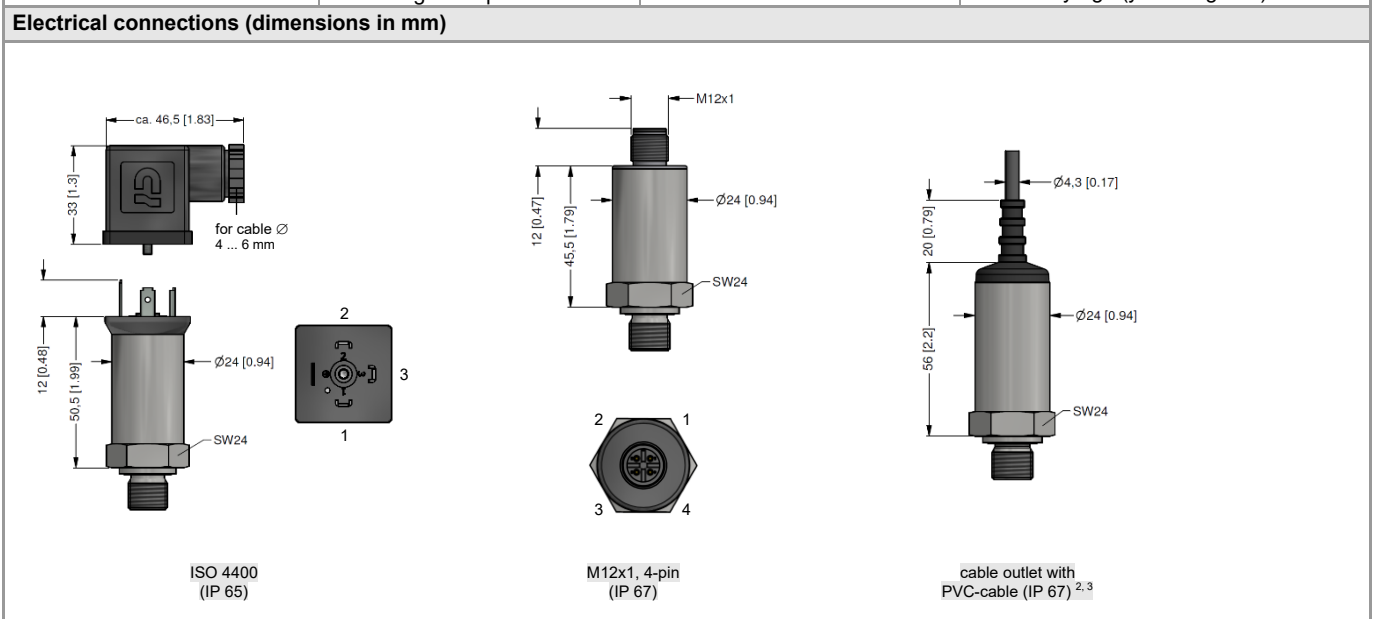
The company BD SENSORS s.r.o. is certified by Bureau Veritas Czech according to the standard ISO 9001.

| | |
|-------------------------|---|
| Materials | |
| Pressure port / housing | stainless steel 1.4301 (304) |
| Seals | FKM |
| Sensor | stainless steel 1.4404 (316L), silicon, glass, epoxy or RTV |
| Media wetted parts | pressure port, seals, sensor |
| Miscellaneous | |
| Weight | approx.. 120 g |
| Permissible media | pressurized air, non-aggressive gases |
| Current consumption | 2-wire: max. 25 mA 3-wire voltage: max. 7 mA (short circuit current: max. 20 mA) |
| Operational life | 100 million load cycles |
| CE-conformity | EMC Directive: 2014/30/EU |

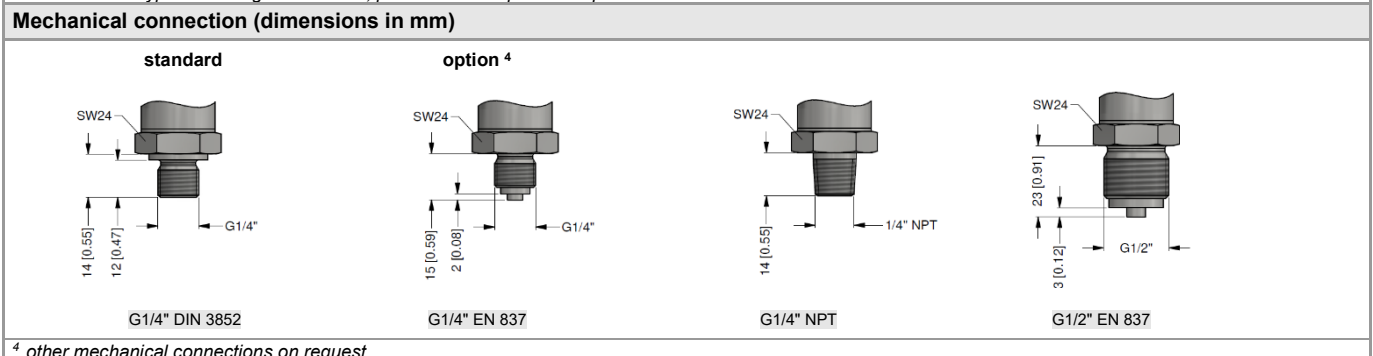


Pin configuration

| Electrical connections | ISO 4400 | M12x1 (4-pin), metal | cable colour (DIN 47100) |
|------------------------|---------------------|----------------------|--------------------------|
| Supply + | 1 | 1 | wh (white) |
| Supply - | 2 | 2 | bn (brown) |
| Signal + (for 3-wire) | 3 | 3 | gn (green) |
| Shield | ground pin \oplus | 4 | ye/gn (yellow / green) |



² standard: 2 m PVC cable without ventilation tube (permissible temperatur: -5 ... 70 °C)
³ different cable types and lengths available, permissible temperatur depends on kind of cable



0,-...without additional charge

On request... in accordance with the producer

1 - cable without through capillary (permissible temperature -5 ... +70 °C)

Surcharges for calibration are not subject to any discounts. Subject to change.

This document contains the specification for ordering the product;

detailed technical parameters of the product and its possible variants are given in the data sheet.

BD SENSORS reserves the right to change sensor specifications without further notice.



BD SENSORS s.r.o.
Hradištská 817
CZ – 687 08 Buchlovice

Tel.: +420 572 411 011

www.bdsensors.cz
info@bdsensors.cz

The company BD SENSORS s.r.o. is certified by Bureau Veritas Czech according to the standard ISO 9001.

