

# DIAPHRAGM TYPE CHEMICAL SEAL

## "MONOBLOC"

welded execution, all in stainless steel

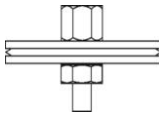
Process connection G1/2, drilled out



Chemical seals are used when media can falsify the pressure measurement due to high temperature, high viscosity (media in paste form) or their propensity to crystallise.

Chemicals seals transmit the process pressure to the measuring instrument, with the diaphragm forming a hermetic seal between the medium and measuring instrument.

The diaphragm is either internal depending on design.

Type	1007	Optionen
Symbol / Design	 <p>Monobloc, flanges welded</p>	
Material	Stainless steel 1.4571	
Pressure ranges	0...1 up to 0...40 bar	on request
Process connection	G 1/2 drilled out (8 mm)	
Temperatures	Medium temperature up to 100 °C Ambient temperature -20...+80°C	
Rated pressure	max. PN 60	on request

### Dimensional drawing

Dimensions in mm

