

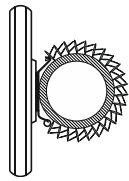
CLINGING-BIMETAL-THERMOMETER

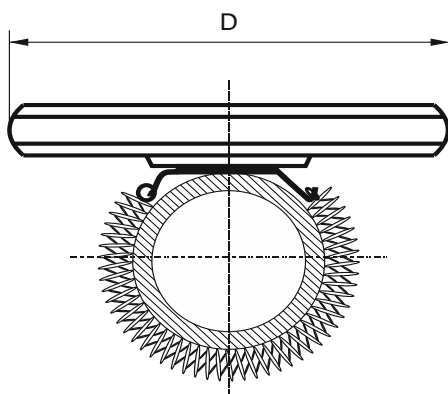


with stretching feather
for a vertical or for a horizontal pipe

For all measuring applications, for which you need thermometers without a plain stem and without a thread.



Model	09 063	09 080	Options
Diameter	63	80	
Symbol			
Accuracy class	2		
Measuring rang (°C)	0...120°C		other ranges on request
Case	stainless steel	steel galvanized, ABS	Plastic
Slip ring	stainless steel	steel tin-plated, ABS	
Dial	plastic white, black printed		
Window	glass		
max. tube diameter	30 mm		
Connection	spiral type, steel galvanized		



Dimensions in mm

Model 09 063 D = 63

Model 09 080 D = 80

The measurement could be very inexact caused of the high working temperature. So it is needful, to isolate the bimetal thermometer up to the slip ring.